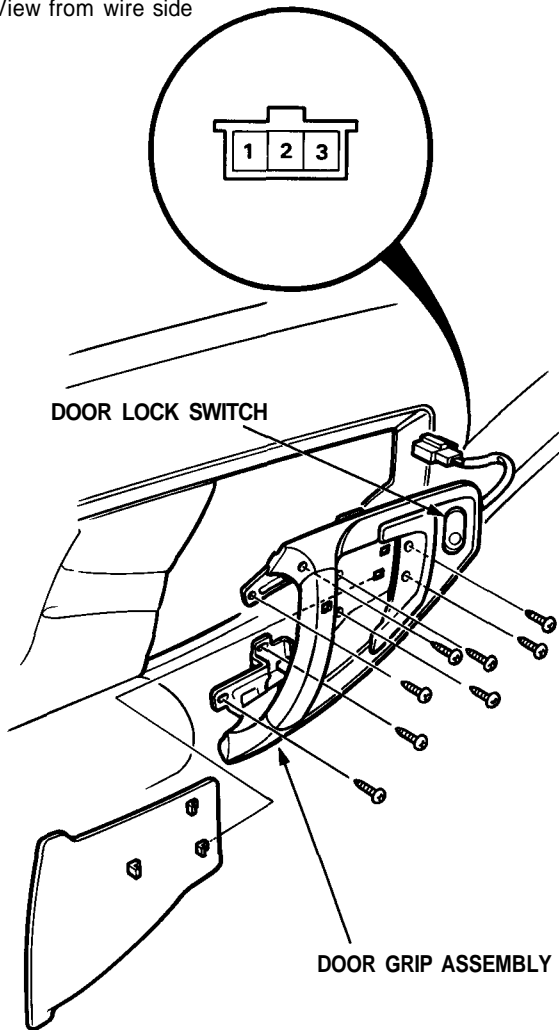


Power Door Locks

Door Lock Switch Test

1. Remove the door grip assembly.
2. Disconnect the 3-P connector from the switch.
3. Check for continuity between the terminals, in each switch position, according to the table.

View from wire side



| Terminal | 1 | 2 | 3 |
|----------|-------|-------|---|
| Position | | | |
| LOCK | | ○ — ○ | |
| OFF | | | |
| UNLOCK | ○ — ○ | | |