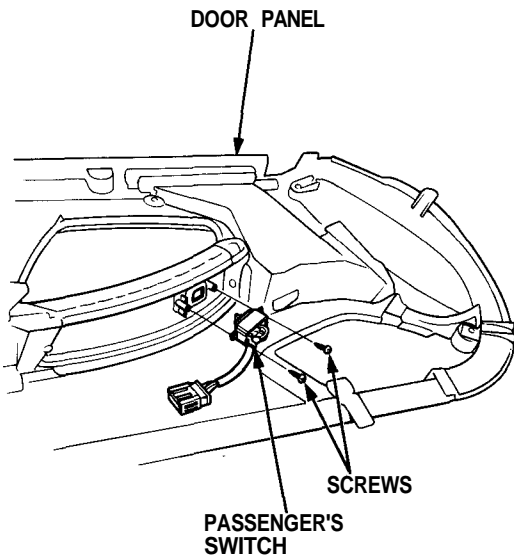




## Passenger's Switch Replacement

1. Remove the door panel (see [section 20](#)).
2. Remove the two screws, then remove the passenger's switch from the door panel.

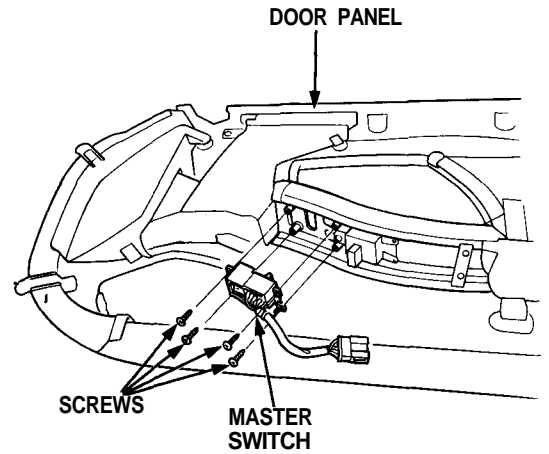


3. Install in the reverse order of removal.

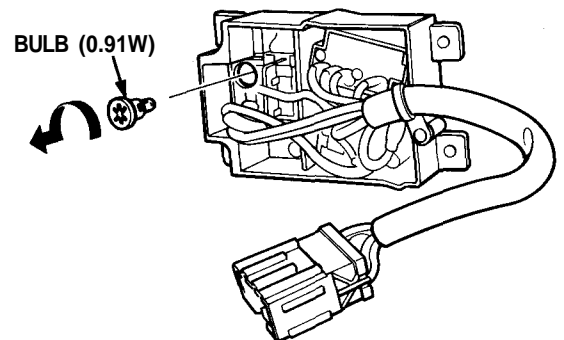
## Switch Light Bulb Replacement

1. Remove the door panel (see [section 20](#)).
2. Remove the four screws, then remove the power window switch from the door panel.

NOTE: Driver's door is shown. Passenger's door is similar.



3. Remove the power window switch bulb.



4. Install in the reverse order of removal.