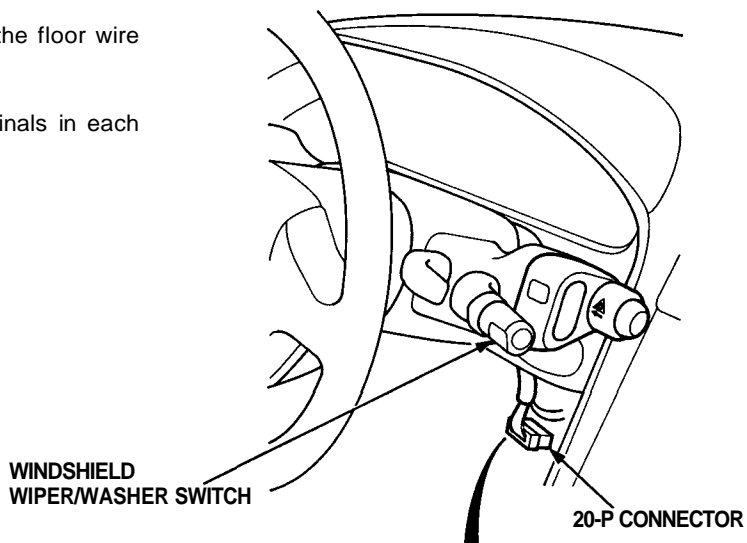


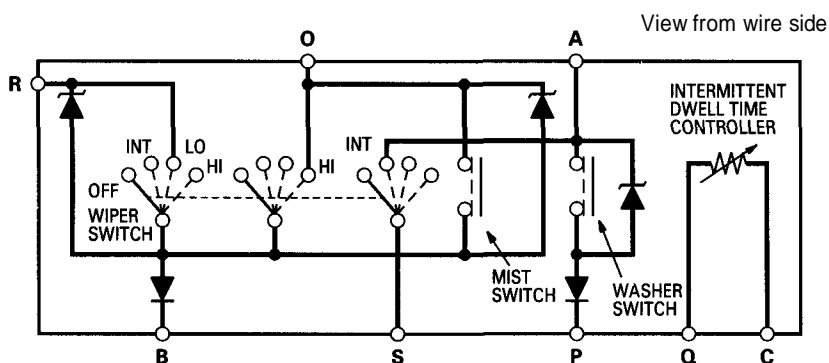
# Wipers/Washers

## Windshield Wiper/Washer Switch Test

1. Remove the dashboard lower cover (see page 23-294).
2. Disconnect the 20-P connector from the floor wire harness.
3. Check for continuity between the terminals in each switch position according to the table.



A	B	C	D		E	F	G	H	I
J	K	L	M	N	O	P	Q	R	S



Terminal	A	B	C		O	P	Q	R	S
Position									
INT	○								○
LO		○		◀				○	
HI		○		◀	○				
Mist switch "ON"		○		◀	○	▶		○	
Washer switch "ON"	○			▶		○			
Intermittent dwell time controller turned			○			⚡	○		
						0-10K $\Omega$			