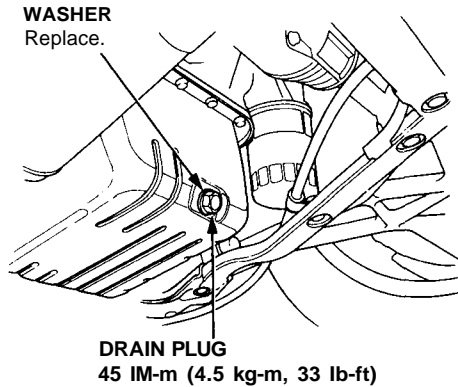


# Engine Oil

## Replacement

**CAUTION:** Remove the drain plug carefully while the engine is hot, the hot oil may cause scalding.

1. Warm up the engine.
2. Drain the engine oil.



3. Reinstall the drain plug with a new washer, and refill with the recommended oil.

**CAUTION:** Do not overtighten the drain plug.

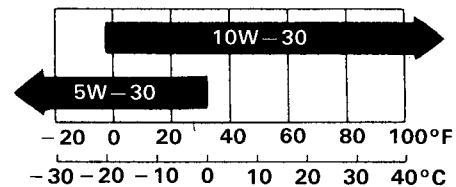
<b>Requirement</b>	API Service Grade: Use "Energy Conserving II" SG or SH grade oil. SAE 10W-30 preferred. You can also use an oil a container that bears API CERTIFICATION mark.
<b>Capacity</b>	5.0 l (5.3 US qt, 4.4 Imp qt) at change, including filter. 6.3 l (6.7 US qt, 5.5 Imp qt) after engine overhaul.
<b>Change</b>	Every 7,500 miles (12,000 km) or 6 months whichever comes first.



API CERTIFICATION MARK

The numbers in the middle of the API Service label tell you the oil's SAE viscosity or weight. Select the oil for your car according to this chart:

Ambient Temperature



An oil with a viscosity of 10W—30 is preferred for improved fuel economy and year-round protection in the car.

You may use a 5W—30 oil if the climate in your area is limited to the temperature range shown on the chart.

4. Fill the engine with oil up to the specified level, run the engine for more than 3 minutes, then check for oil leakage and oil level.