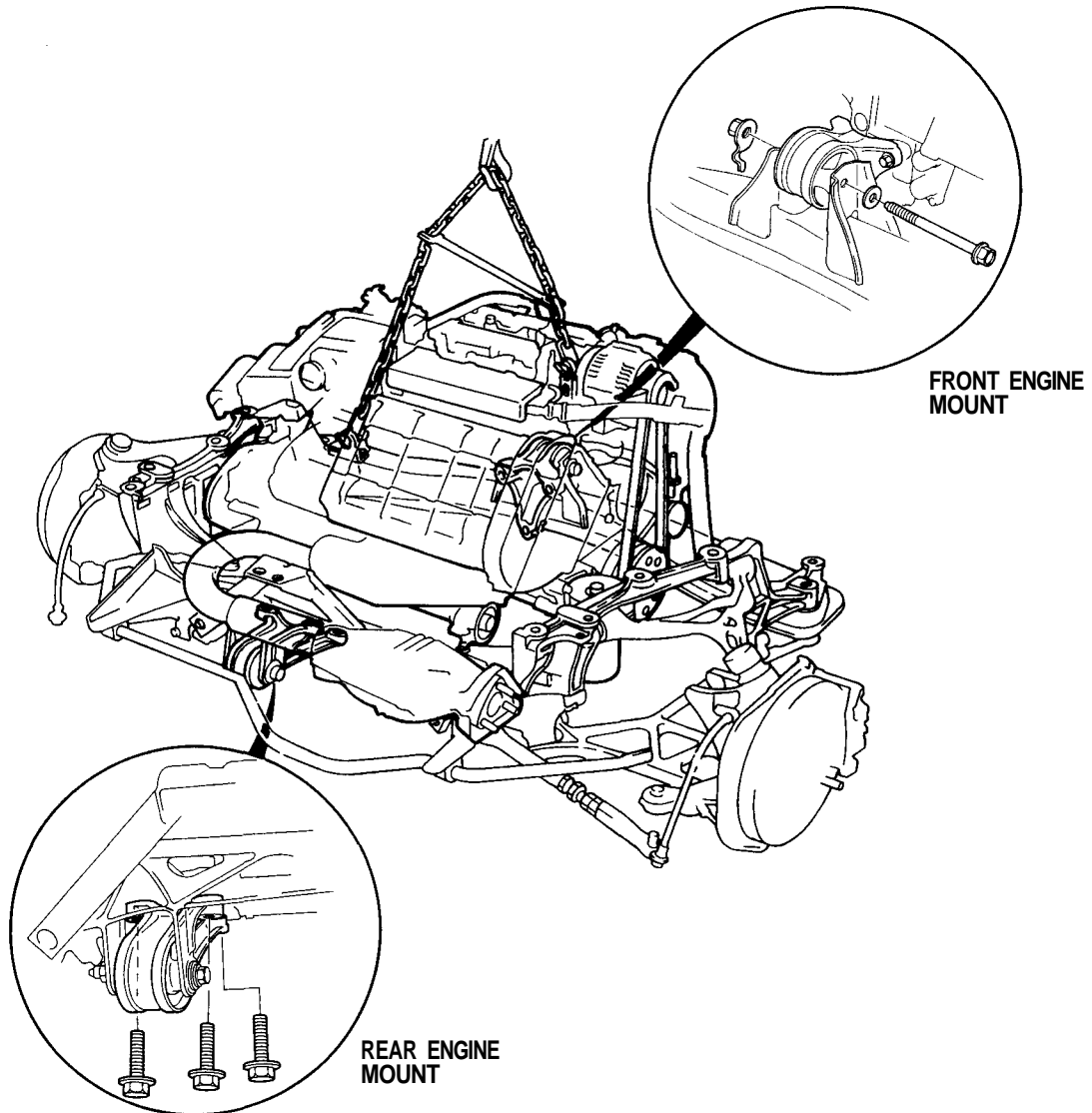




55. Attach a chain hoist to the engine. Remove the front and rear mounting bolts, then separate the engine from the suspension and the beam assembly.

CAUTION: Do not hit the engine oil cooler on the rear right beam bracket.



56. Install the engine in the reverse order of removal:

NOTE:

- Align the bolt holes of the beam brackets and body with a tapered punch (page 5-28).
- Temporarily torque the two front beam nuts and front engine mounting bolt when installing the A/C compressor.

- Combine the front beam and the rear beam rod assembly, then torque the four mounting bolts.
- Check that the set ring on the end of each driveshaft clicks into place.

CAUTION: Use new set rings.

(cont'd)

Engine Removal/Installation

(cont'd)

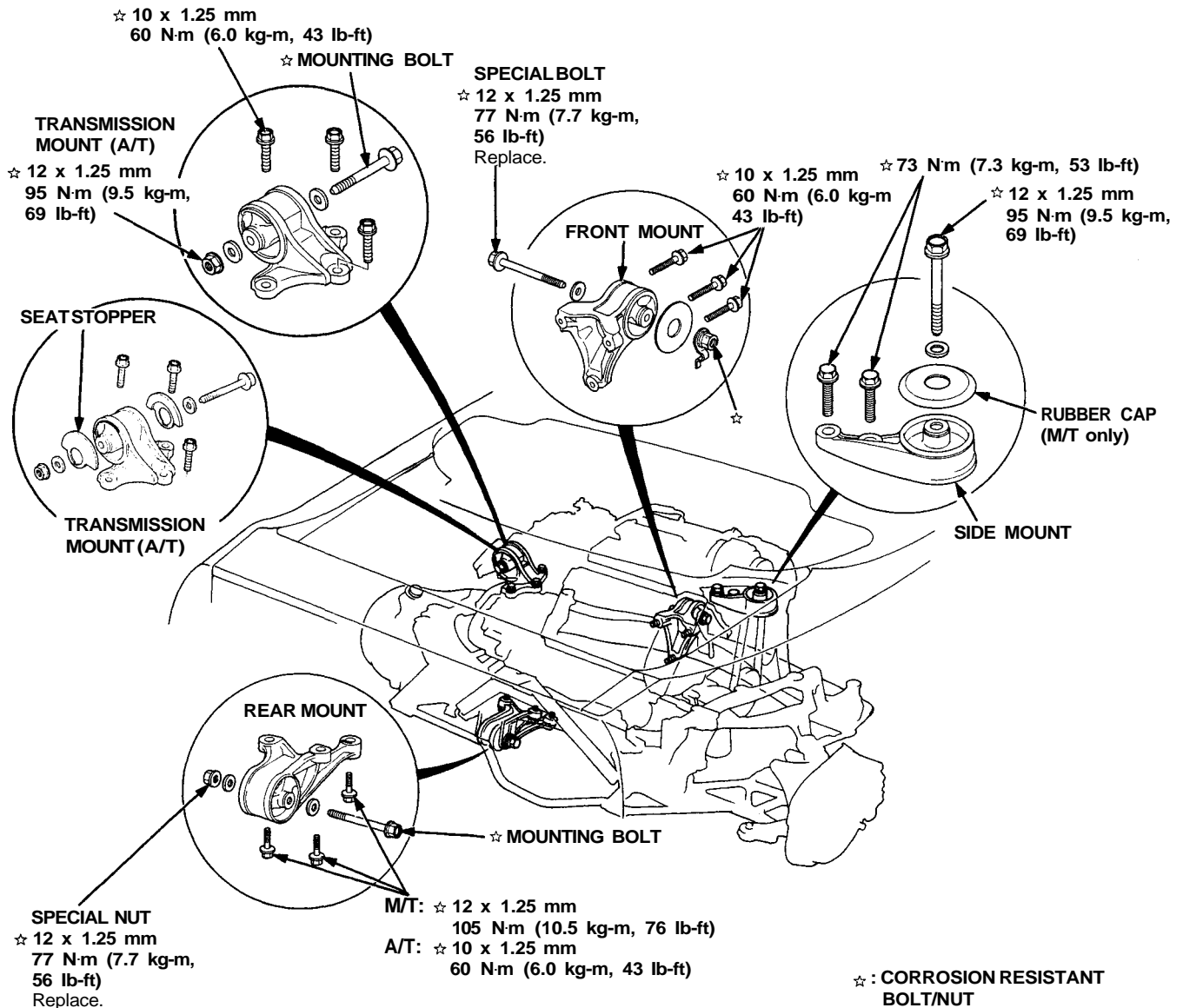
After the engine is in place:

- Torque the engine mounting bolts in sequence shown below.

CAUTION: Failure to tighten the bolts in the proper sequence can cause excessive noise and vibration and reduce bushing life; check that the bushings are not twisted or offset.

- Bleed air from the cooling system (see section 10)
- Bleed air from the brake lines (see section 19)
- Adjust the throttle cable tension.
- Check the clutch pedal free play.
- Adjust the clutch guide assemblies when disassembling clutch (see section 12).

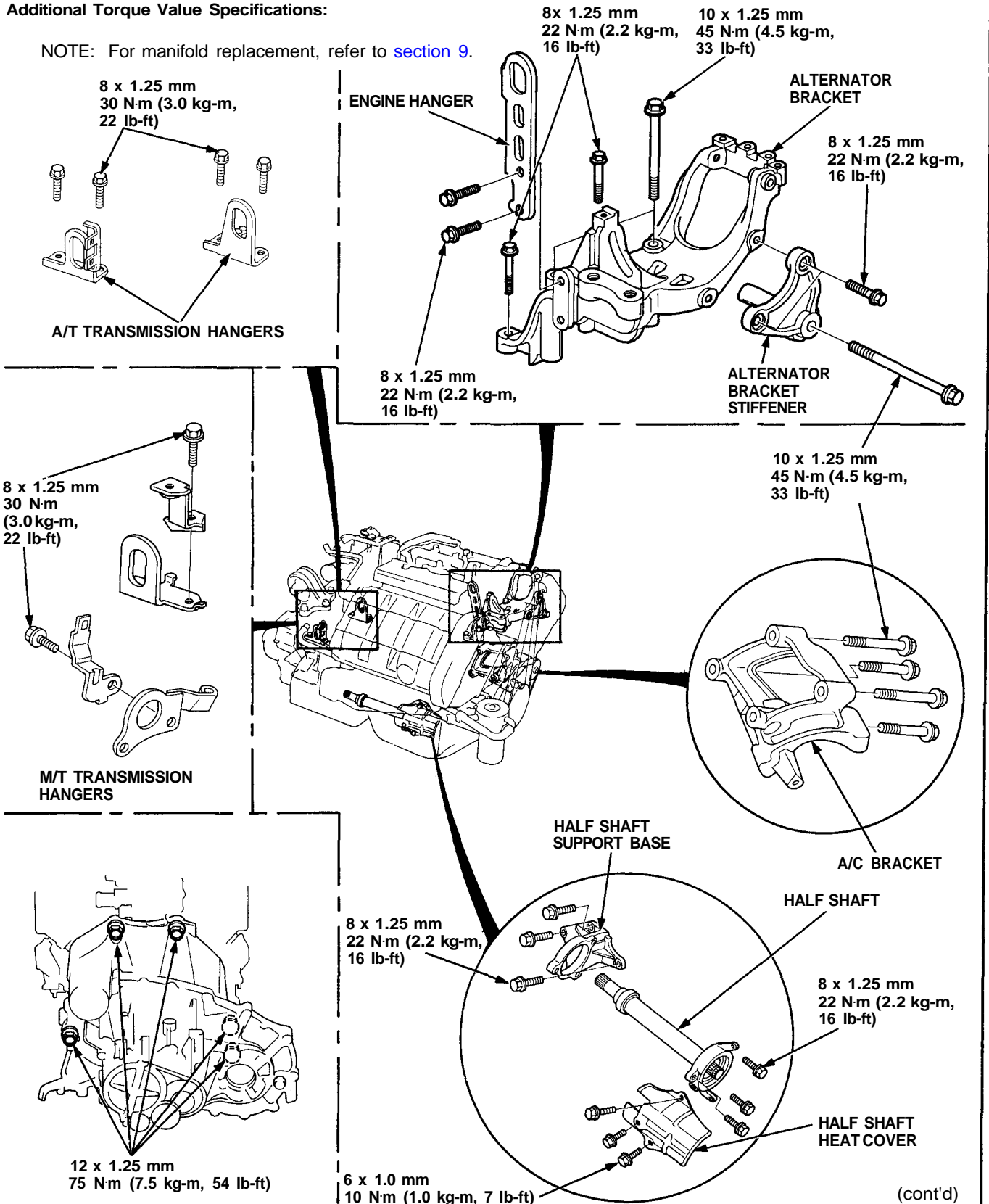
- Check that the transmission shifts into gear smoothly (M/T see section 13, A/T see section 14).
- Adjust the alternator belt (see section 23).
- Adjust the A/C belt (see section 22).
- Clean battery posts and cable terminals with sandpaper, assemble, then apply grease to prevent corrosion.
- Inspect for fuel leakage:
 - After assembling fuel line parts, turn on the ignition switch (do not operate the starter) so that the fuel pump operates for approximately two seconds and the fuel line pressurizes. Repeat this operation two or three times and check whether any fuel leakage has occurred at any point in the fuel line.
- Check and adjust wheel alignment.





Additional Torque Value Specifications:

NOTE: For manifold replacement, refer to [section 9](#).



(cont'd)

Engine Removal/Installation

(cont'd)

Sub-frame Torque Value Specifications:

