

Valve Clearance

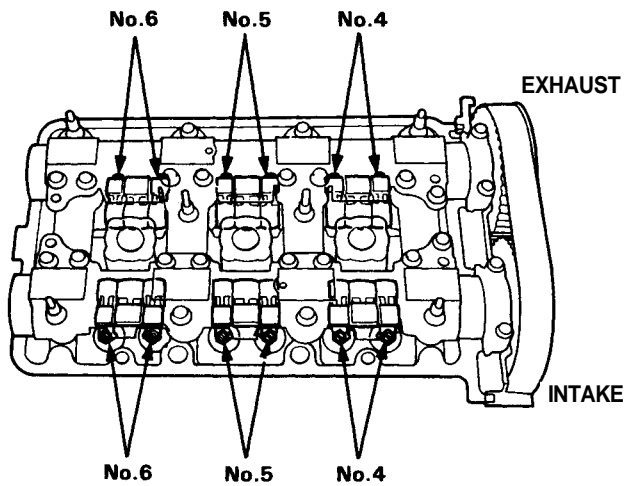
Adjustment

NOTE:

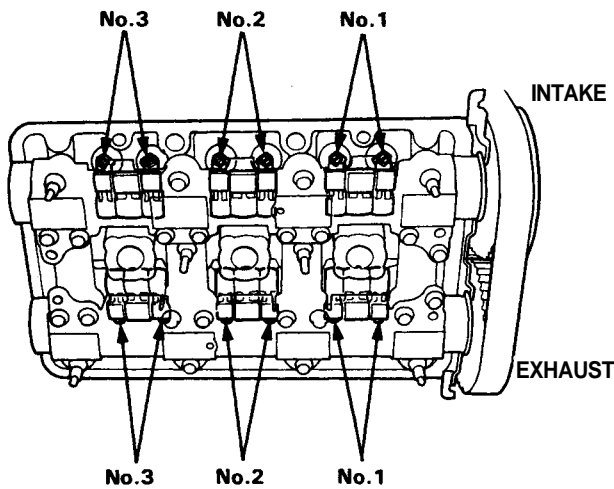
- Valves should be adjusted cold when the cylinder head temperature is less than 100°F (38°C).
- Adjustment is the same for both intake and exhaust valves.
- Adjust valve clearance at TDC of each cylinder.
- Do not rotate the engine counterclockwise. The timing belt could jump a tooth on the camshaft pulleys.

1. Remove the cylinder head covers.

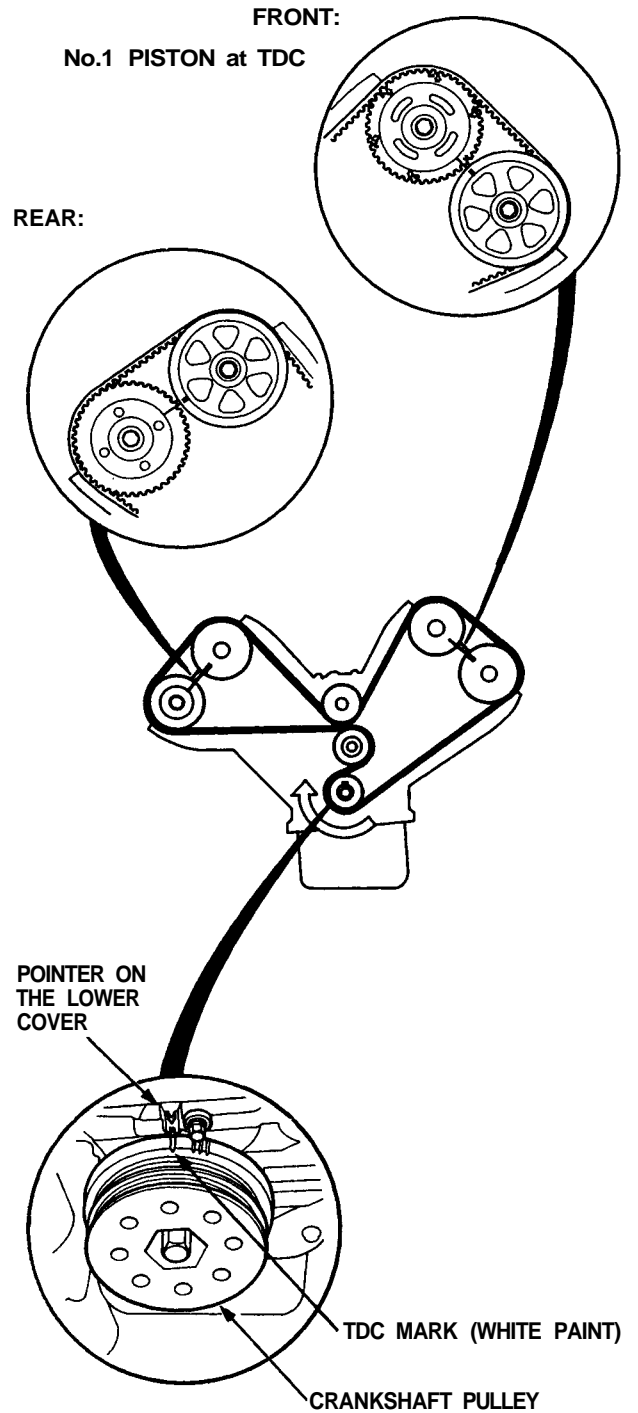
FRONT:



REAR:



2. Rotate crankshaft and set No.1 piston at TDC.
 - TDC mark (white paint) on the crank pulley should align with pointer on the timing lower cover, and TDC grooves on the camshaft pulleys should align with timing belt cover plates.



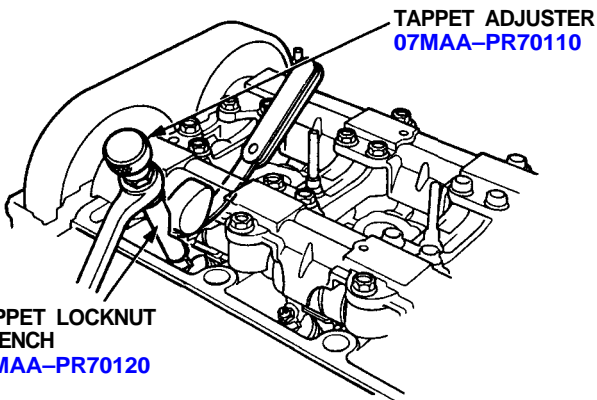


3. Manually inspect the rocker arms for independent operation (page 6-52, 53)
4. Adjust valves on No.1 cylinder.
 - Adjusting screws are on primary and secondary rocker arms.

Intake: 0.15-0.19 mm (0.006-0.007 in)
Exhaust: 0.17-0.21 mm (0.007-0.008 in)

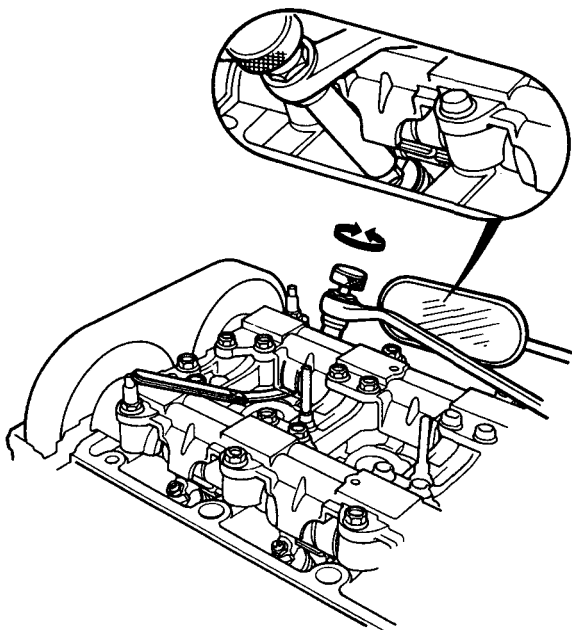
5. Loosen locknut and turn adjustment screw until feeler gauge slides back and forth with slight amount of drag.

INTAKE:



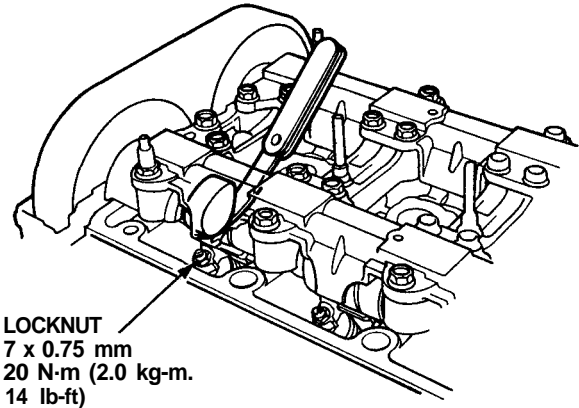
EXHAUST:

NOTE: Use a mirror to check if the special tool is positioned on the locknut correctly.

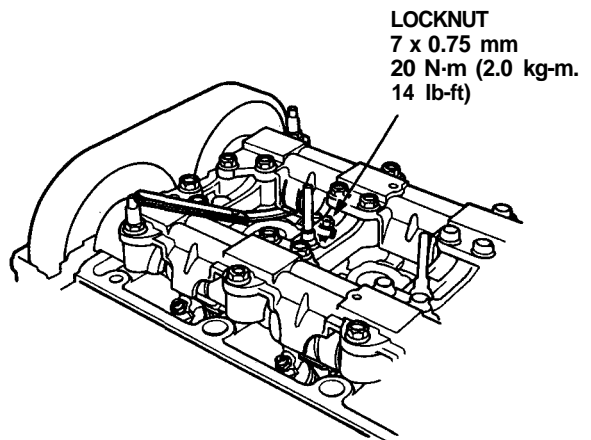


6. Tighten locknut and check clearance again. Repeat adjustment if necessary.

INTAKE:



EXHAUST:

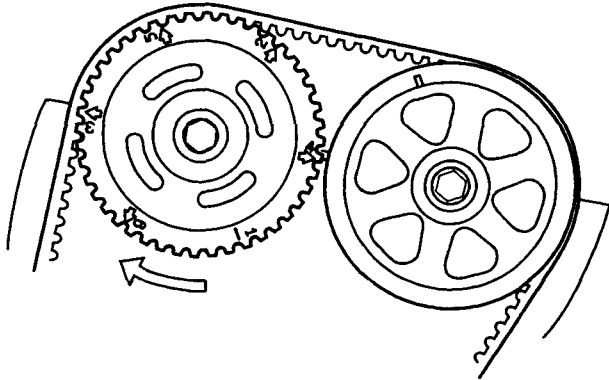


(cont'd)

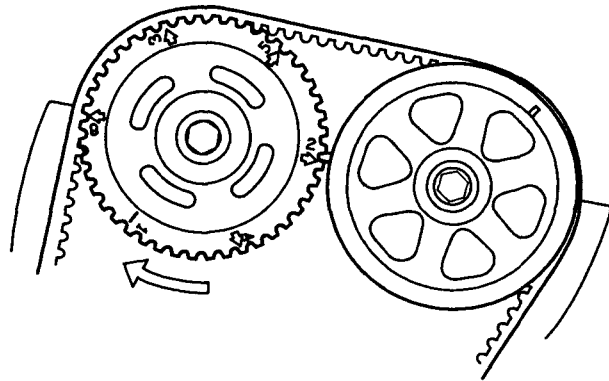
Valve Clearance

Adjustment (cont'd)

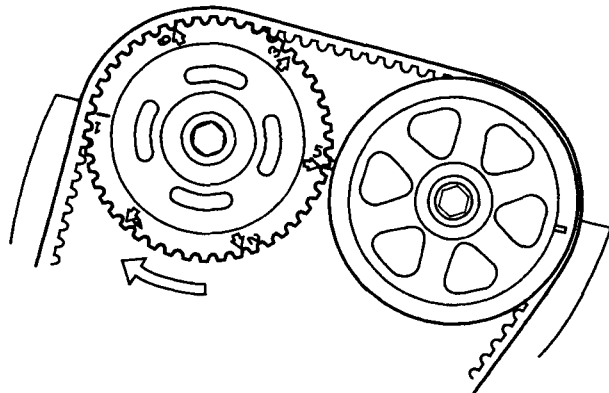
7. Rotate the crankshaft 120° clockwise (camshaft pulley turns 60°). Check that the front intake camshaft pulley is positioned as shown. Repeat step 3 to step 6. Number 4 piston at TDC:



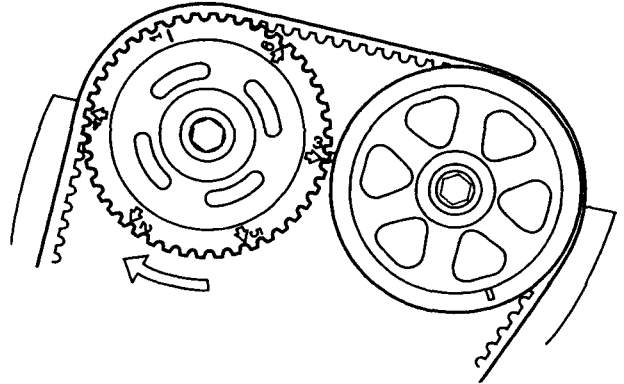
8. Rotate the crankshaft 120° clockwise (camshaft pulley turns 60°). Check that the front intake camshaft pulley is positioned as shown. Repeat step 3 to step 6. Number 2 piston at TDC:



9. Rotate the crankshaft 120° clockwise (camshaft pulley turns 60°). Check that the front intake camshaft pulley is positioned as shown. Repeat step 3 to step 6. Number 5 piston at TDC:



10. Rotate the crankshaft 120° clockwise (camshaft pulley turns 60°). Check that the front intake camshaft pulley is positioned as shown. Repeat step 3 to step 6. Number 3 piston at TDC:



11. Rotate the crankshaft 120° clockwise (camshaft pulley turns 60°). Check that the front intake camshaft pulley is positioned as shown. Repeat step 3 to step 6. Number 6 piston at TDC:

