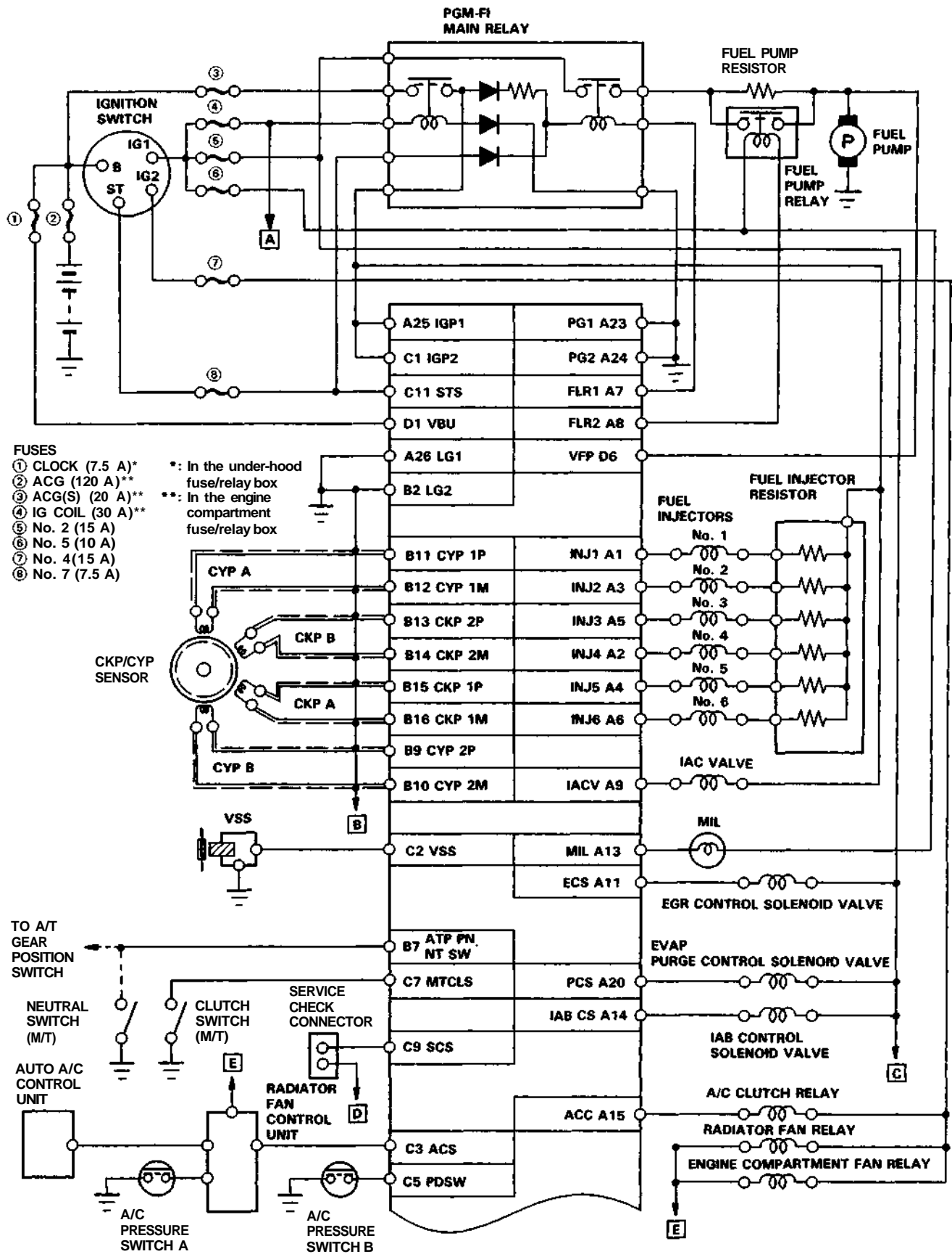
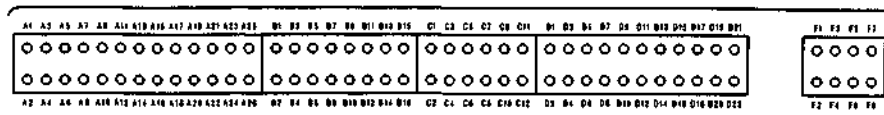
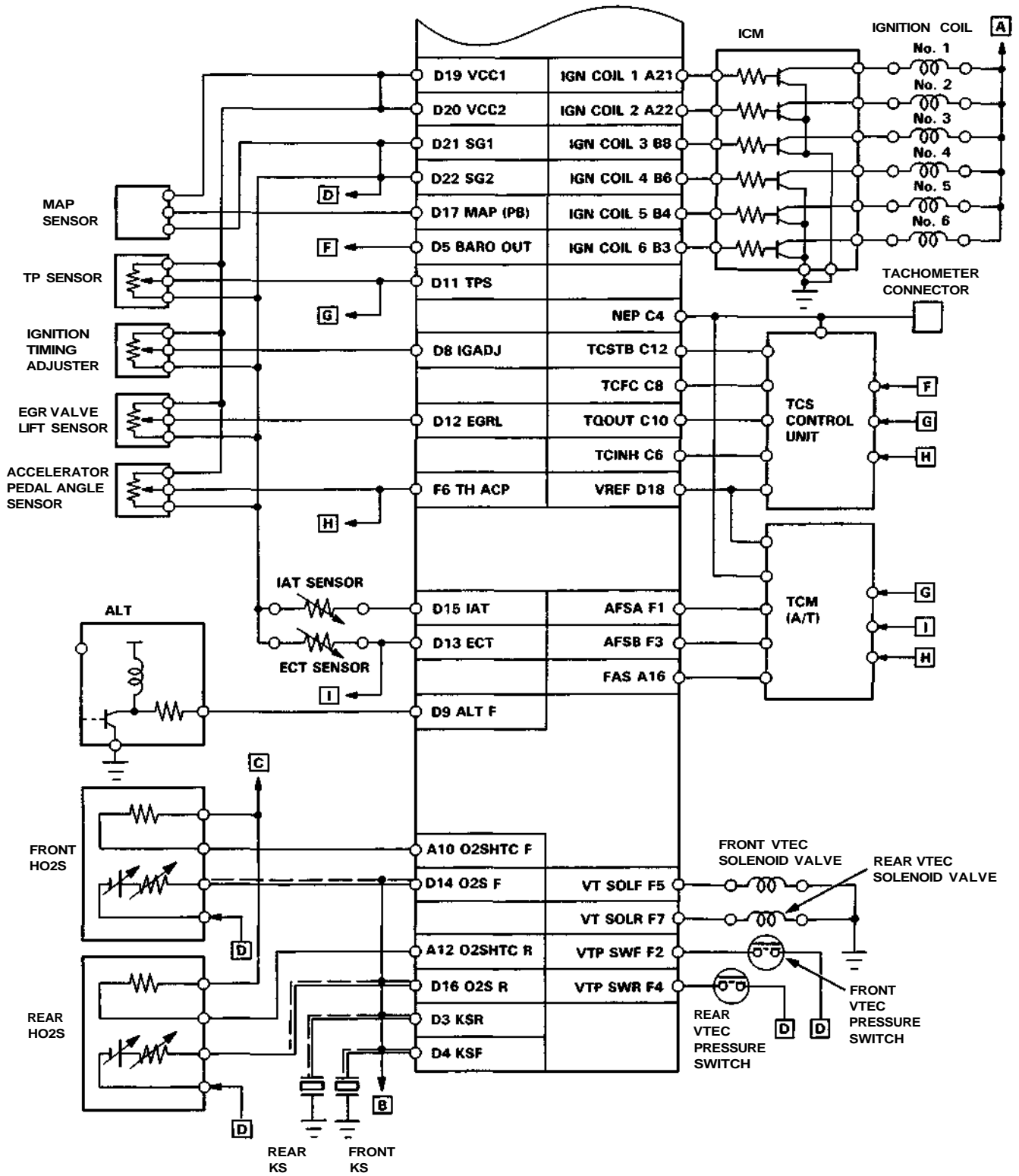


System Description

Electrical Connections



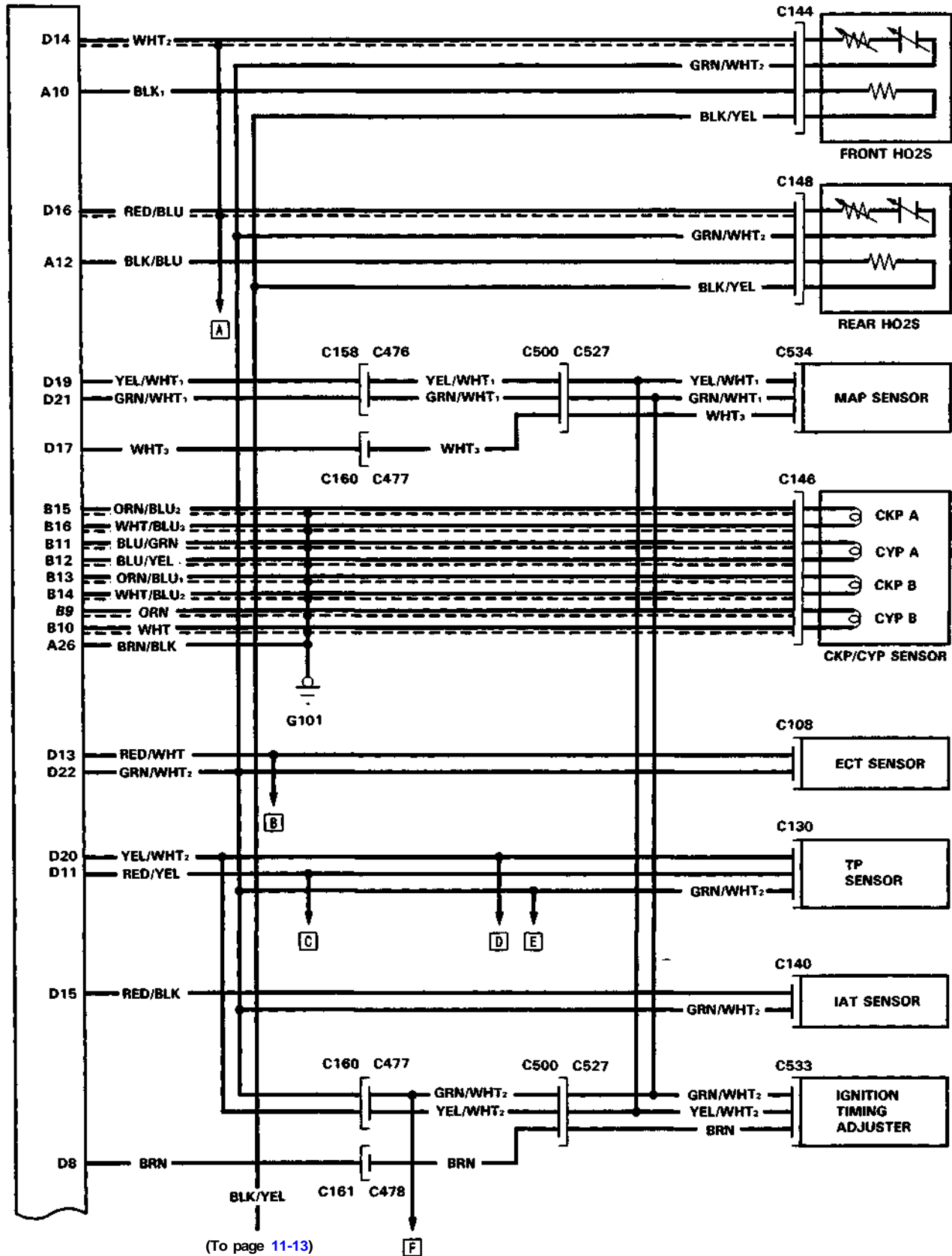


TERMINAL LOCATION

(cont'd)

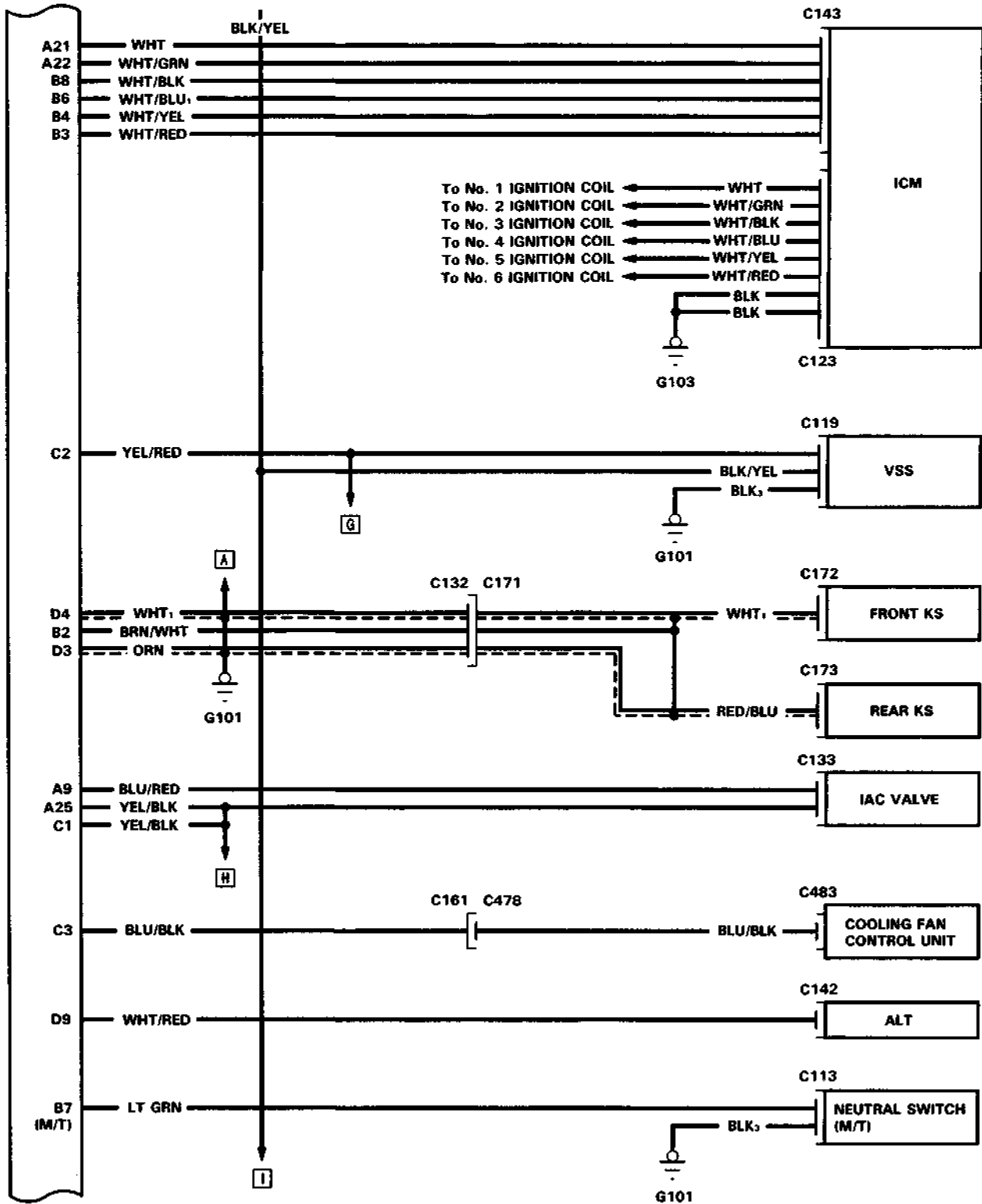
System Description

Electrical Connections (cont'd)





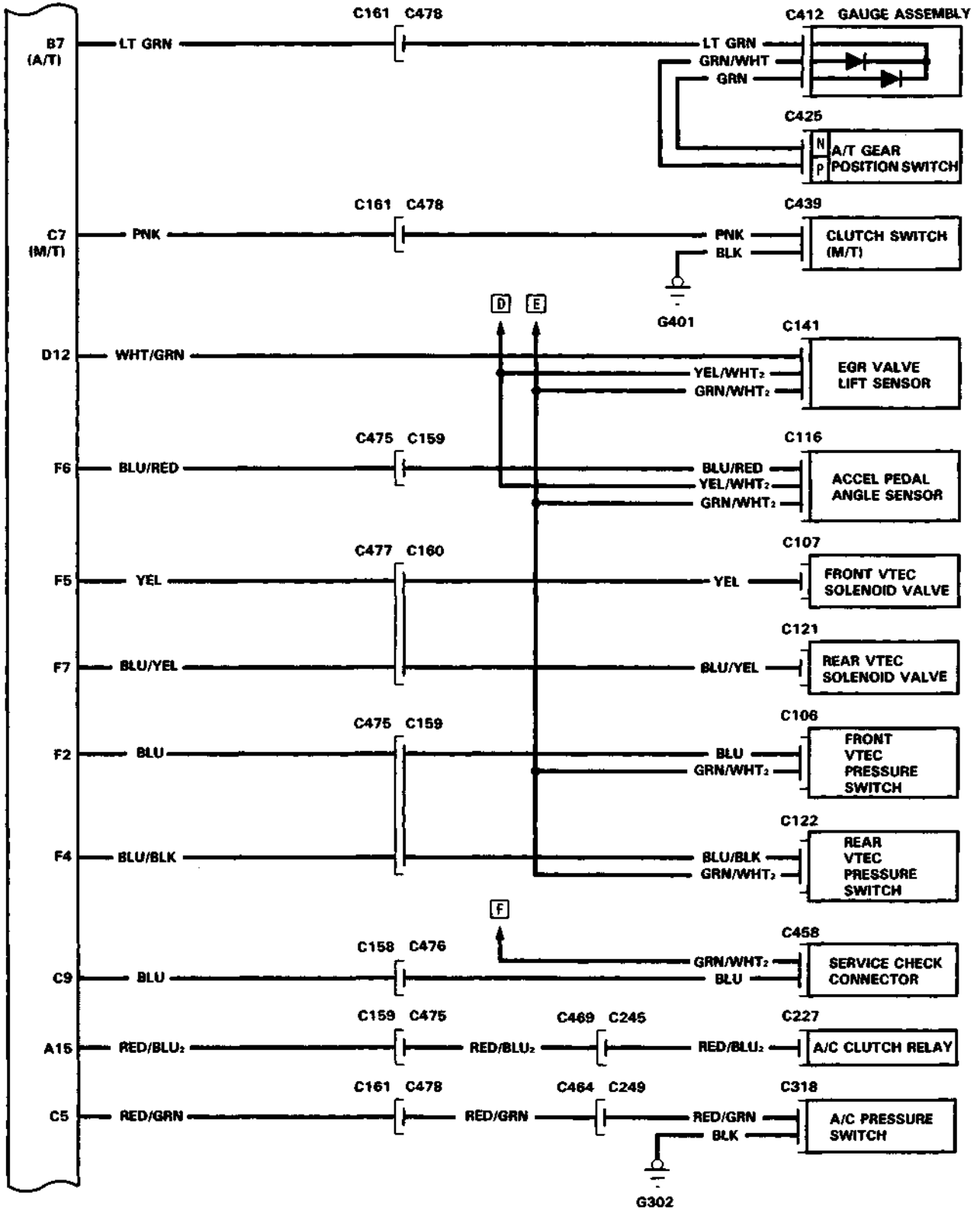
(From page 11-12)

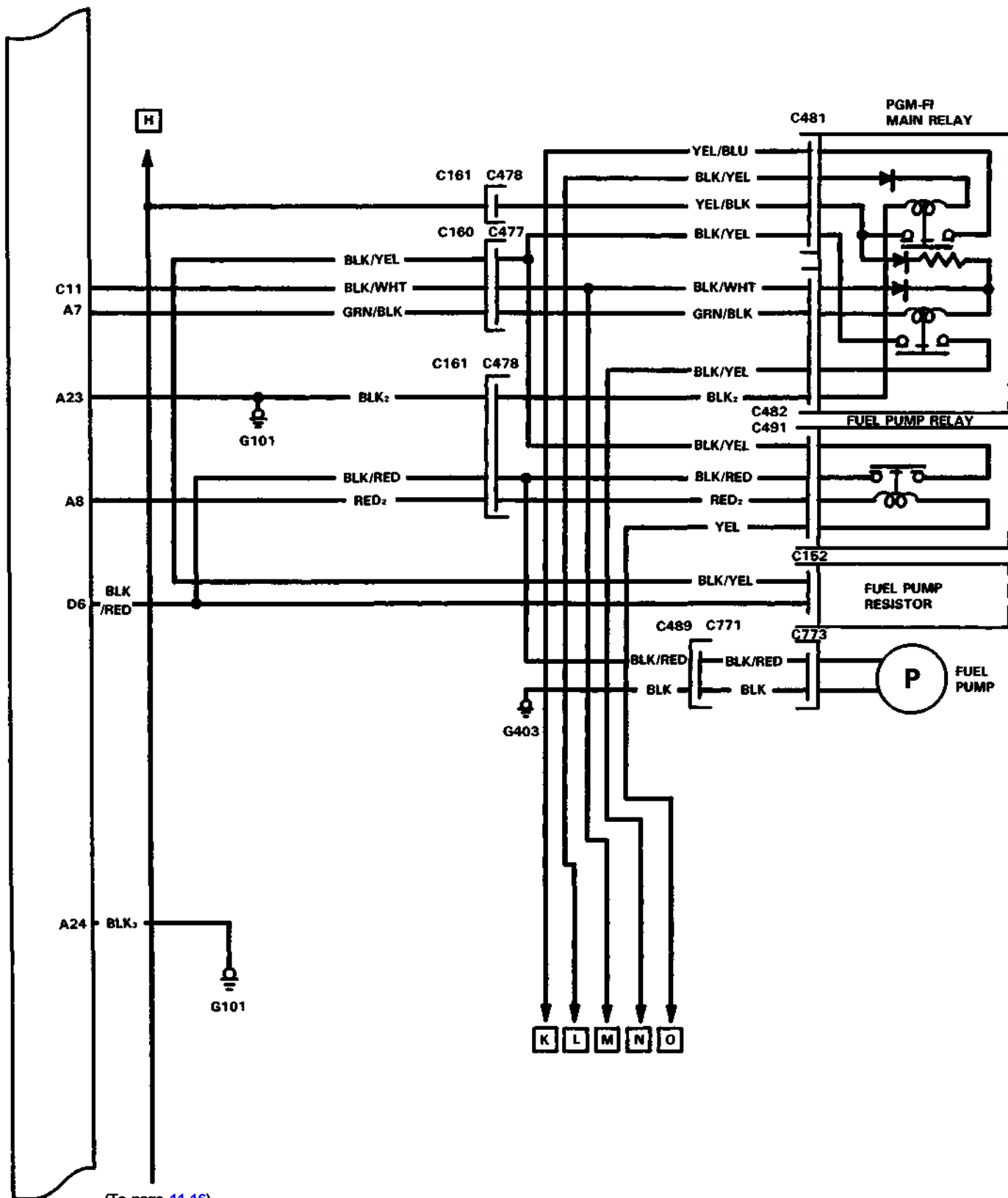


(cont'd)

System Description

Electrical Connections (cont'd)





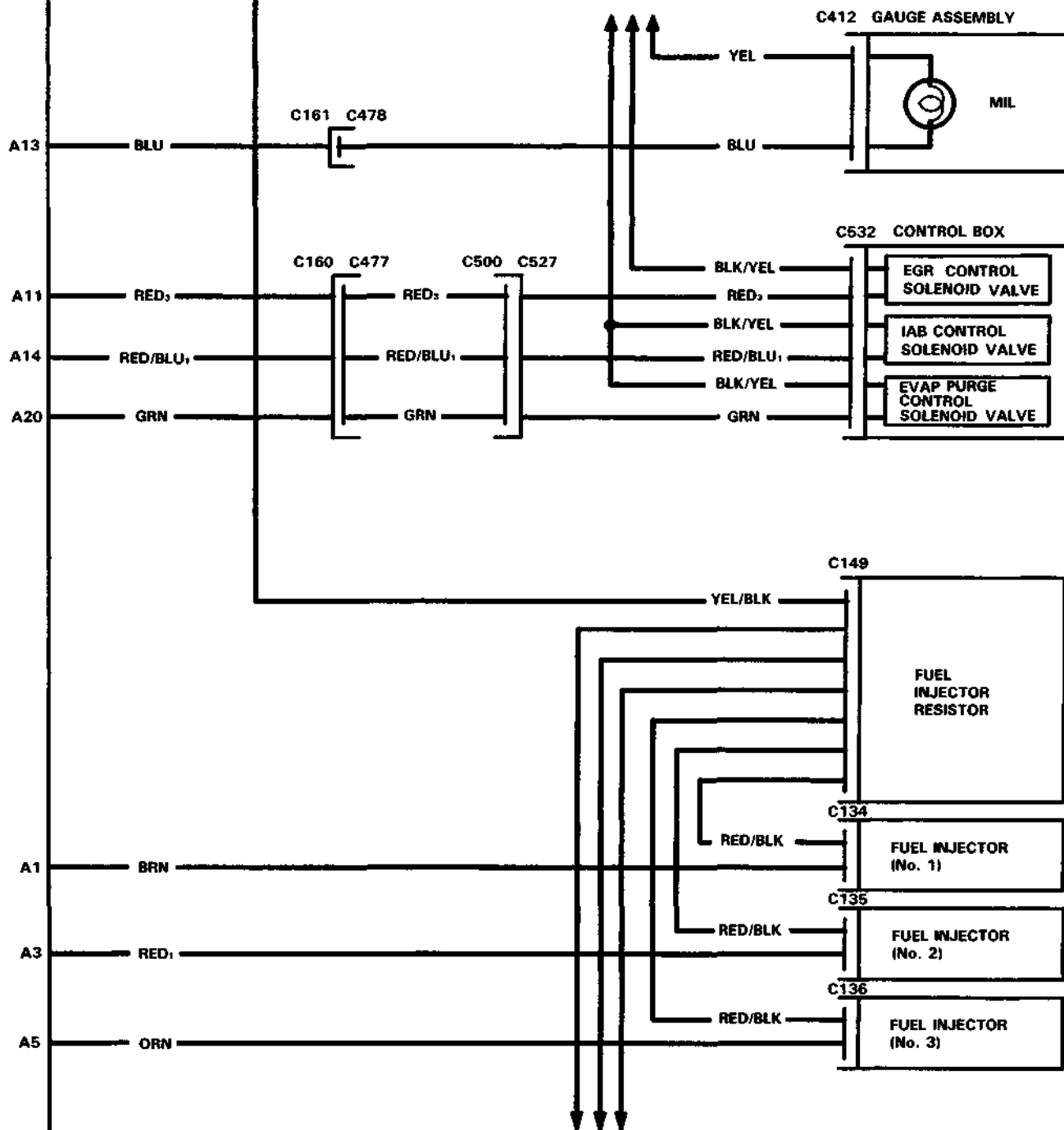
(To page 11-16)

(cont'd)



(From page 11-16)

(From page 11-16)



(To page 11-18)

(cont'd)

System Description

Electrical Connections (cont'd)

