

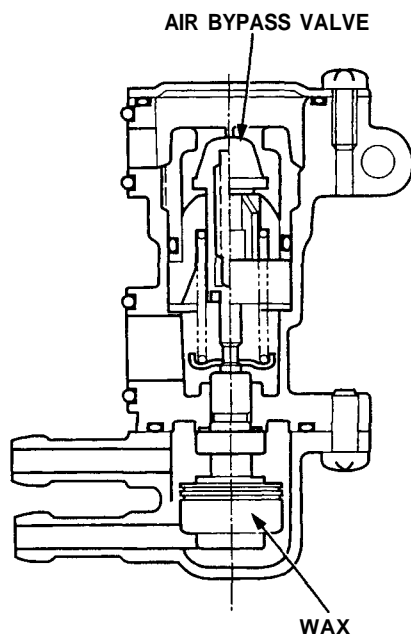
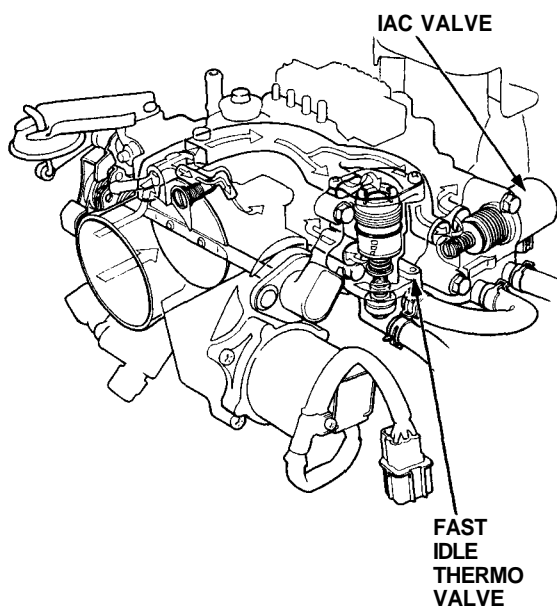


Fast Idle Thermo Valve

Description

To prevent erratic running when the engine is warming up, it is necessary to raise the idle speed. The fast idle thermo valve is controlled by a thermowax plunger.

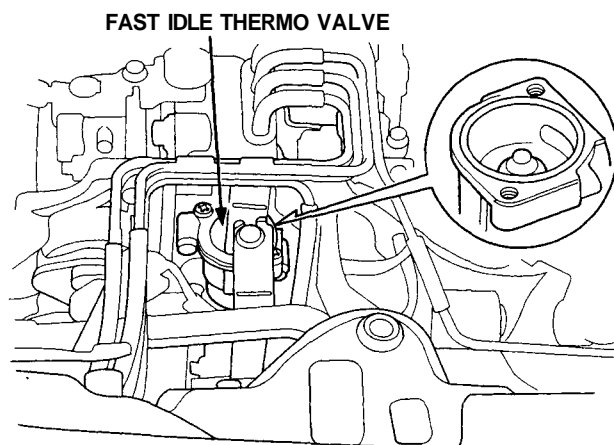
When the engine is cold, the engine coolant surrounding the thermowax contracts the plunger, allowing additional air to be bypassed into the intake manifold so that the engine idles faster. When the engine reaches operating temperature, the valve closes, reducing the amount of air bypassing into the manifold.



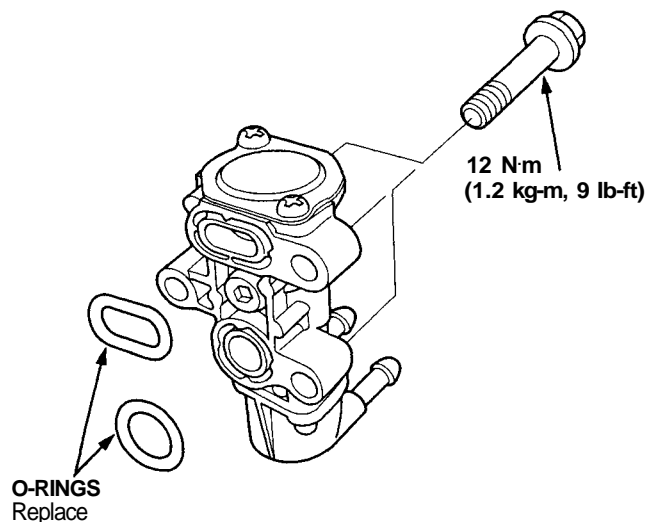
Inspection

NOTE: The fast idle thermo valve is factory adjusted; it should not be disassembled.

1. Start the engine.
2. Remove the cover of the fast idle thermo valve.
3. Put your finger on the valve seat area and make sure that there is air flow with the engine cold (engine coolant temperature below 86°F (30°C) and idling.)



- If not, replace the fast idle thermo valve and retest.



4. Warm up the engine (the cooling fan comes on).
5. Check that the valve is completely closed. If not, air suction can be felt in the valve seat area.
 - If any suction is felt, the valve is leaking. Check engine coolant level and for air in the engine coolant system. If OK, replace the fast idle thermo valve and recheck.