

Transmission Assembly

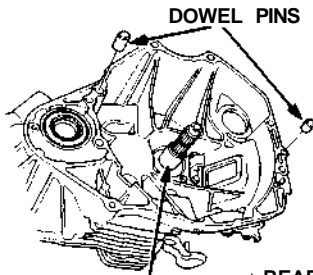
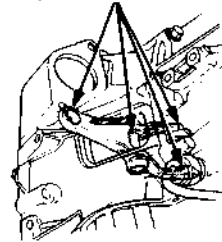
Installation

NOTE:

- Check that the two dowel pins are installed in the clutch housing.
- Use only Super High Temp Urea Grease (P/N 08798-9002).

1. Place the transmission on the transmission jack, and raise it to the engine level.
2. Set the release fork to the clutch housing.
3. Install the two transmission housing mounting bolts and engine stiffener.
4. Install the three rear transmission mounting bolts.
5. Loosen the front engine mounting bolt, then install the two front engine mounting bolts to the transmission side.
6. Remove the transmission jack. ☆: Corrosion resistant bolt/nut
7. Install the clutch housing cover.

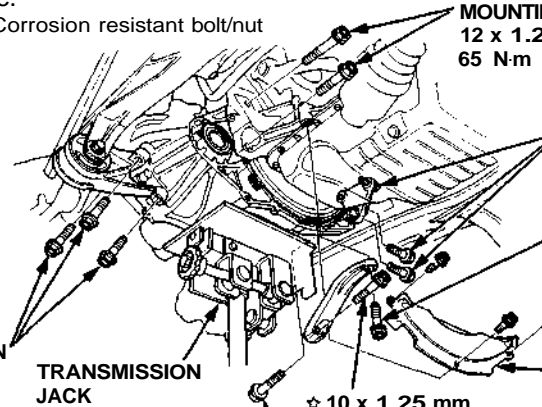
GREASE
(P/N 08798-9002)



DOWEL PINS

GREASE
(P/N 08798-9002)

☆ REAR TRANSMISSION MOUNTING BOLTS
12 x 1.25 mm
105 N-m
(10.5 kg-m, 76 lb-ft)



TRANSMISSION HOUSING MOUNTING BOLTS
12 x 1.25 mm
65 N-m (6.5 kg-m, 47 lb-ft)

☆ FRONT ENGINE MOUNTING BOLT
10 x 1.25 mm
60 N-m (6.5 kg-m, 43 lb-ft)

8 x 1.25 mm
22 N-m (2.2 kg-m, 16 lb-ft)

6 x 1.0 mm
12 N-m (1.2 kg-m, 9 lb-ft)

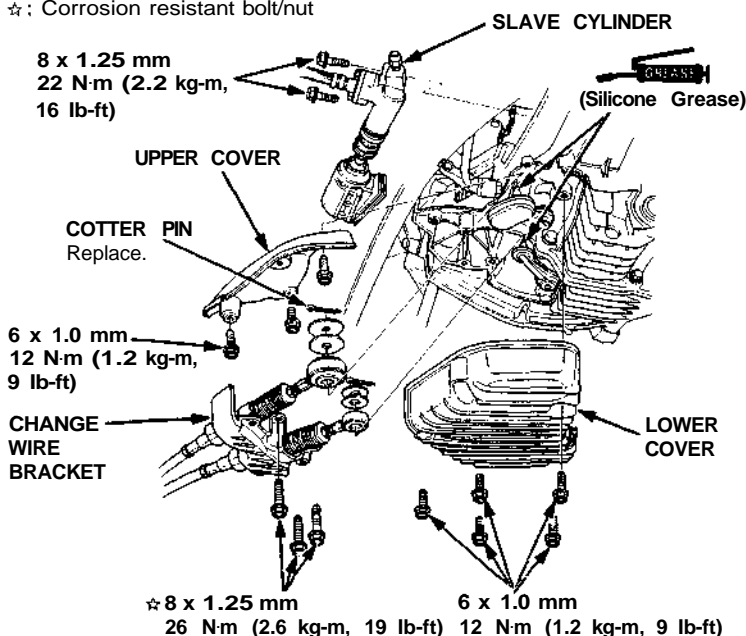
CLUTCH HOUSING COVER

☆ 10 x 1.25 mm
45 N-m (4.5 kg-m, 33 lb-ft)

TRANSMISSION HOUSING MOUNTING BOLT
12 x 1.25 mm
65 N-m (6.5 kg-m, 47 lb-ft)

8. Install the release fork in the release hanger, then install the slave cylinder.
9. Connect the shift cable and select cable.
CAUTION: Take care not to bend the cables.
10. Install the upper cover, change wire bracket and lower cover.
11. Install the upper control arm mounting bolt.

☆: Corrosion resistant bolt/nut



8 x 1.25 mm
22 N-m (2.2 kg-m, 16 lb-ft)

UPPER COVER

COTTER PIN
Replace.

6 x 1.0 mm
12 N-m (1.2 kg-m, 9 lb-ft)

CHANGE WIRE BRACKET

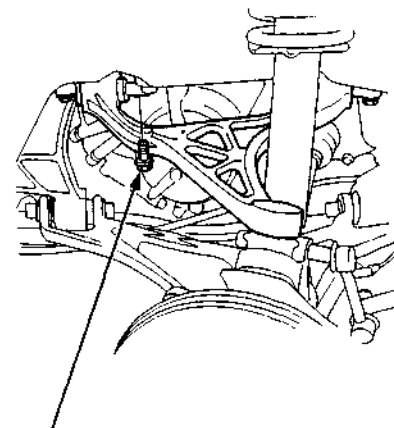
SLAVE CYLINDER

GREASE
(Silicone Grease)

LOWER COVER

☆ 8 x 1.25 mm
26 N-m (2.6 kg-m, 19 lb-ft)

6 x 1.0 mm
12 N-m (1.2 kg-m, 9 lb-ft)

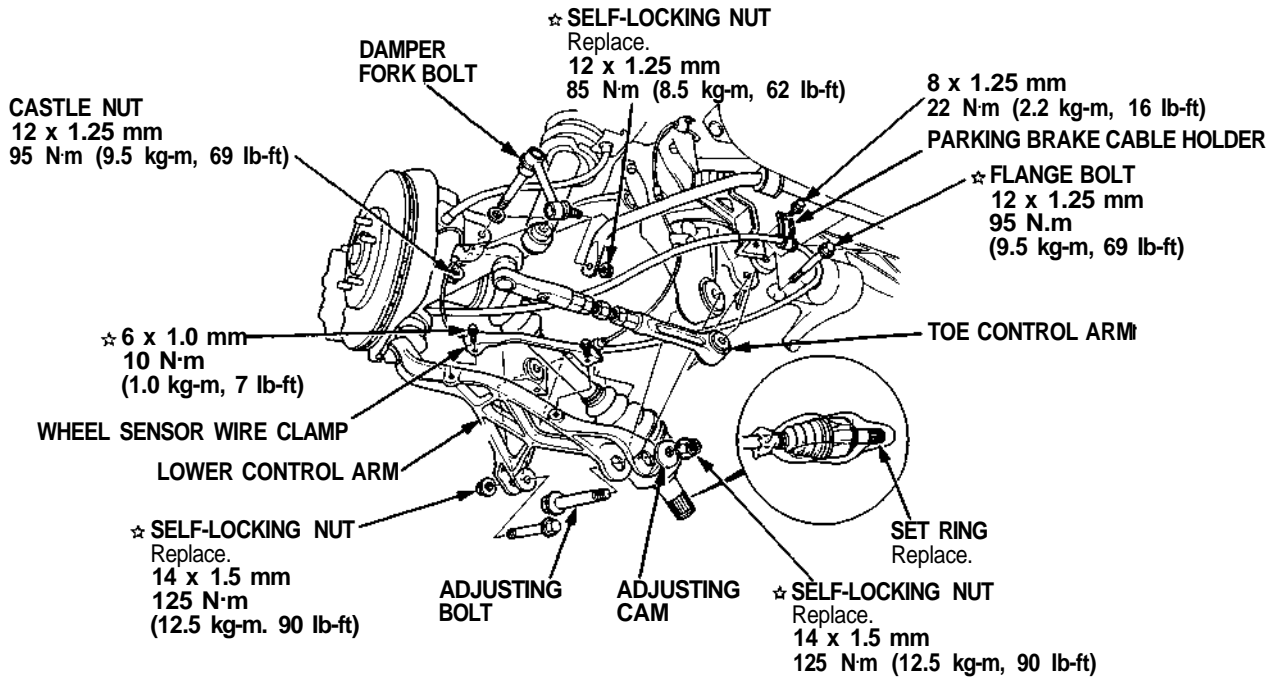


☆ UPPER CONTROL ARM MOUNTING BOLT
10 x 1.25 mm
60 N-m (6.0 kg-m, 43 lb-ft)



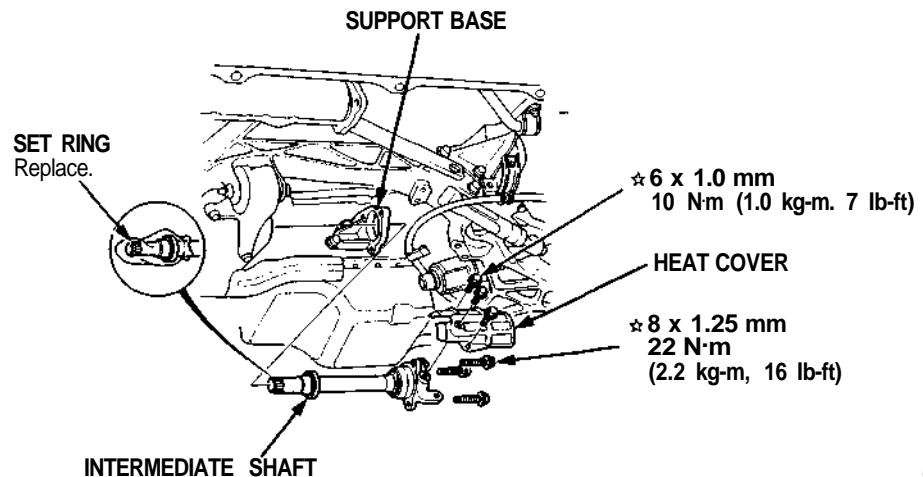
12. Install a new set ring on the end of the left driveshaft and intermediate shaft.
 13. Install the left driveshaft.
 14. Install the lower control arm to the side beam (see [section 18](#)).
- CAUTION: Align the reference marks on the adjusting bolt, adjusting cam and lower control arm.**
15. Install the damper fork bolt (see [section 18](#)).
 16. Install the toe control arm to the side beam (see [section 18](#)).
- CAUTION: Make sure that the arrow marks on the toe control arm are aligned.**
17. Install the wheel sensor wire clamp and parking brake cable holder.

☆: Corrosion resistant bolt/nut



18. Install the intermediate shaft and tighten the intermediate shaft mounting bolts to the intermediate shaft support base.
19. Install the intermediate shaft heat cover.

☆: Corrosion resistant bolt/nut



(cont'd)

Transmission Assembly

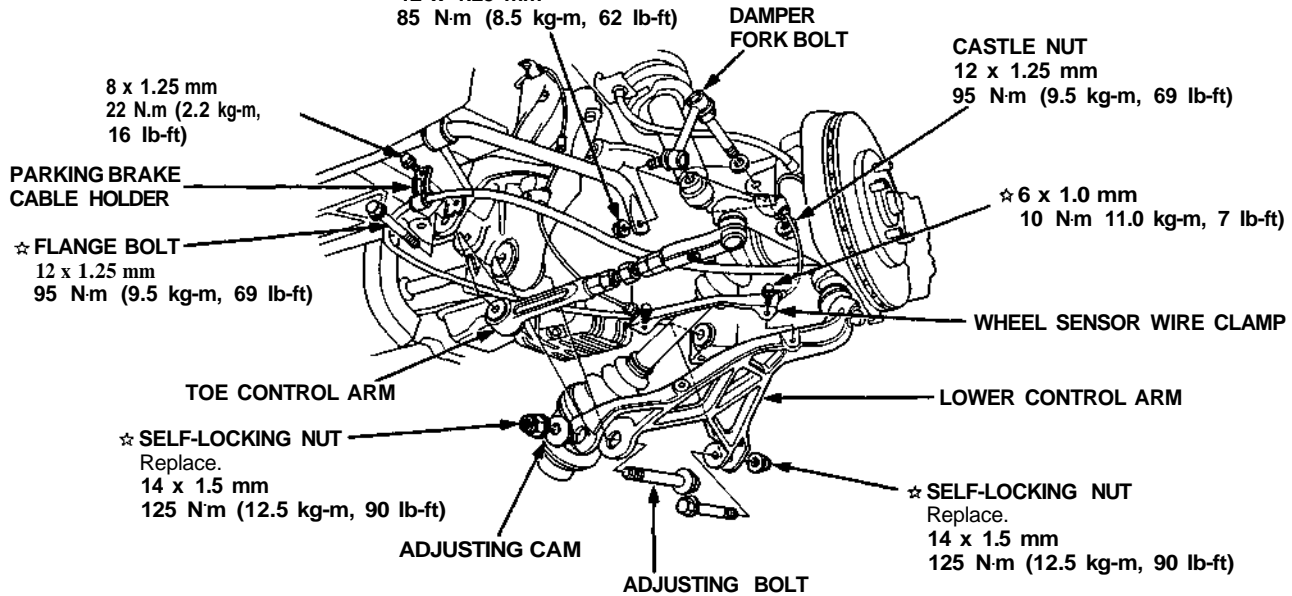
Installation (cont'd)

20. Install the right driveshaft onto the intermediate shaft.
21. Install the lower control arm to the side beam (see [section 18](#)).
CAUTION: Align the reference marks on the adjusting bolt, adjusting cam and lower control arm.
22. Install the damper fork bolt (see [section 18](#)).
23. Install the toe control arm to the side beam (see [section 18](#)).
CAUTION: Make sure that the arrow marks on the toe control arm are aligned.
24. Install the wheel sensor wire clamp and parking brake cable holder.

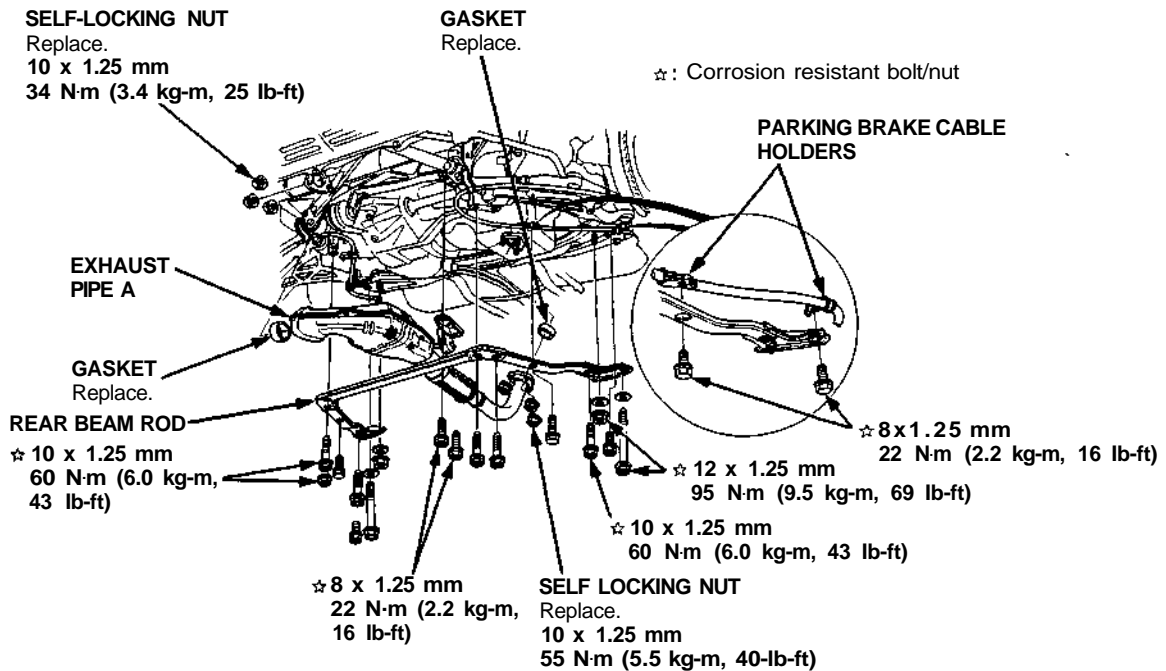
☆: Corrosion resistant bolt/nut

☆ **SELF-LOCKING NUT**

Replace.
12 x 1.25 mm
85 N·m (8.5 kg-m, 62 lb-ft)



25. Install the front exhaust pipe A.
26. Install the rear beam rod.
27. Install the parking brake cable holders to the rear beam rod.





28. Install the transmission mount and two transmission housing mounting bolts.
29. Install the starter motor and connect the starter motor cables.
NOTE: When installing the starter motor cable, make sure that the crimped side of the ring terminals facing out (see [section 23](#)).
30. Install the transmission ground cable and jumper connector, and connect the back-up light switch, neutral position switch and vehicle speed sensor (VSS) connectors.

31. Install the control box and connect the control box connectors.
32. Install the air cleaner assembly.
33. Install the strut bar.
34. Refill the transmission with oil (see page [13-3](#)).
35. Connect the battery positive (+) and negative (-) cables to the battery.
36. Inspect the rear camber (see [section 18](#)).
37. Check the clutch operation.
38. Shift the transmission and check for smooth operation.

☆: Corrosion resistant bolt/nut

**TRANSMISSION HOUSING
MOUNTING BOLTS**
12 x 1.25 mm
65 N·m (6.5 kg·m, 46 lb·ft)

