

Transmission Housing

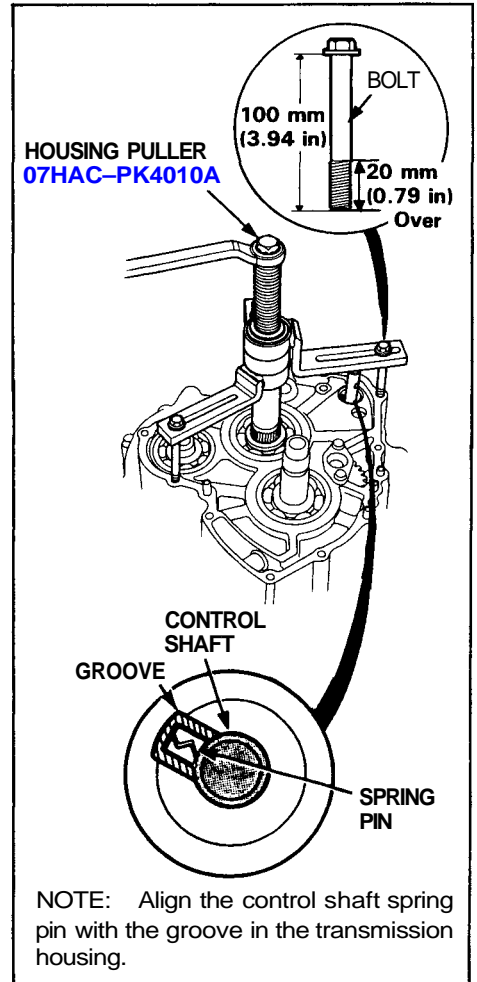
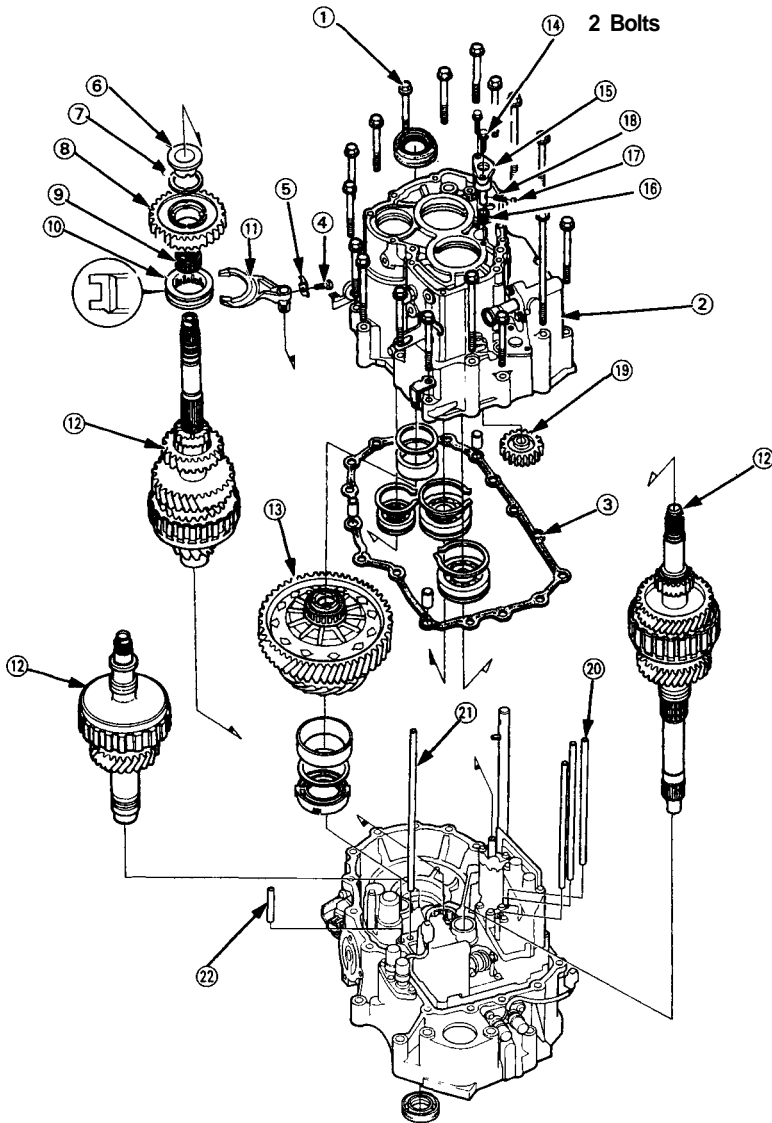
Removal

NOTE:

- Clean all parts thoroughly in solvent or carburetor cleaner and dry with compressed air.
- Blow out all passages.
- The (7/32) #7 steel ball in reverse idler gear shaft is under spring pressure, take care not to let it pop out.

1. Remove the transmission housing in the following numbered sequence.

CAUTION: Set the special tool with bolts as shown.



12. NOTE: Remove three shafts together.

