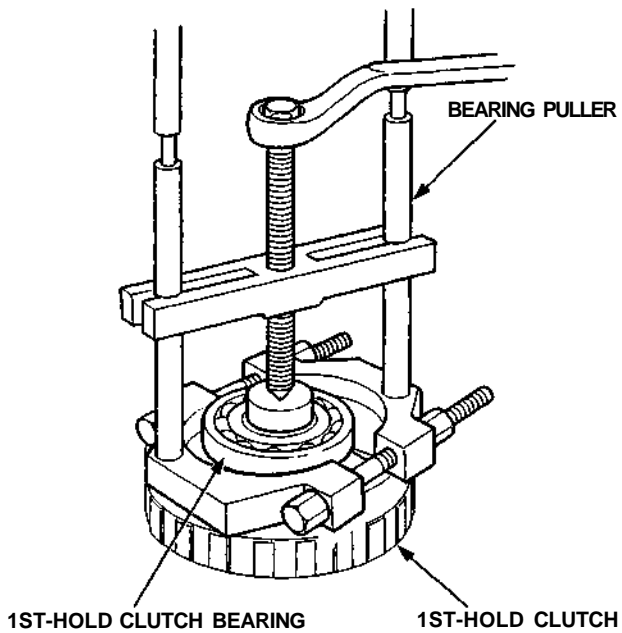


1st-hold Clutch Bearing

Replacement

1. Remove the 1st-hold clutch bearing using a bearing puller.



2. Install a new bearing using the special tools as shown.

NOTE: Drive in the bearing until it fully bottoms.

