

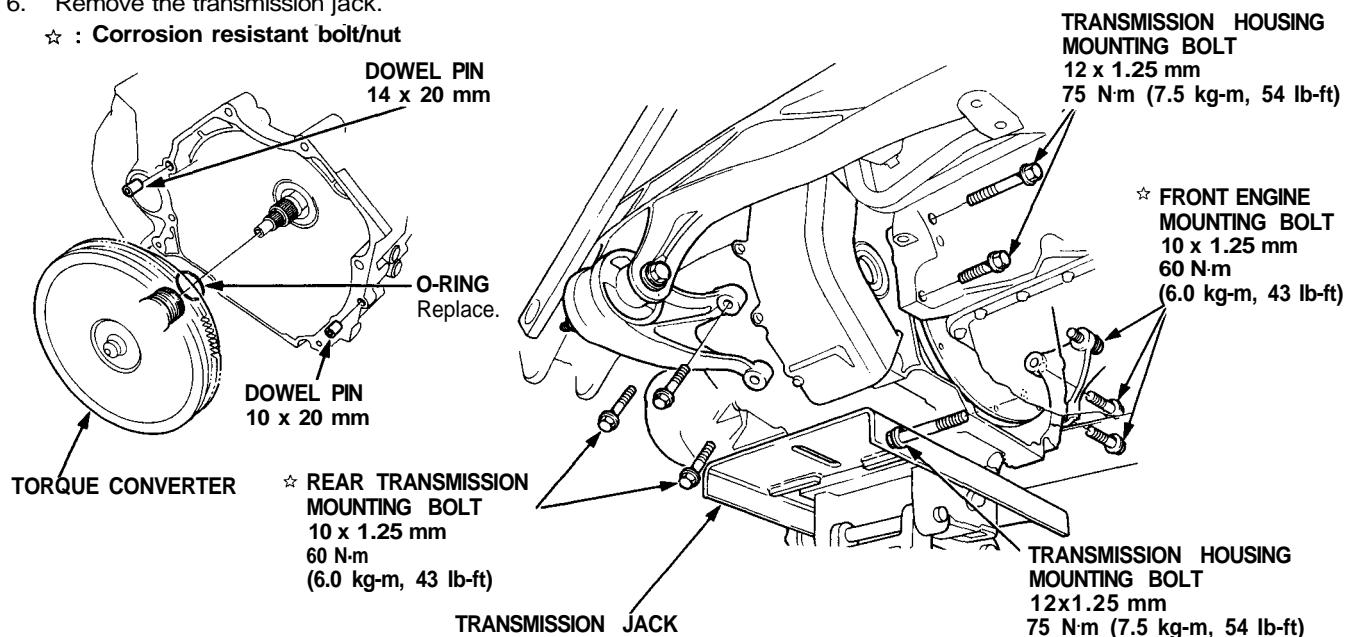


Transmission

Installation

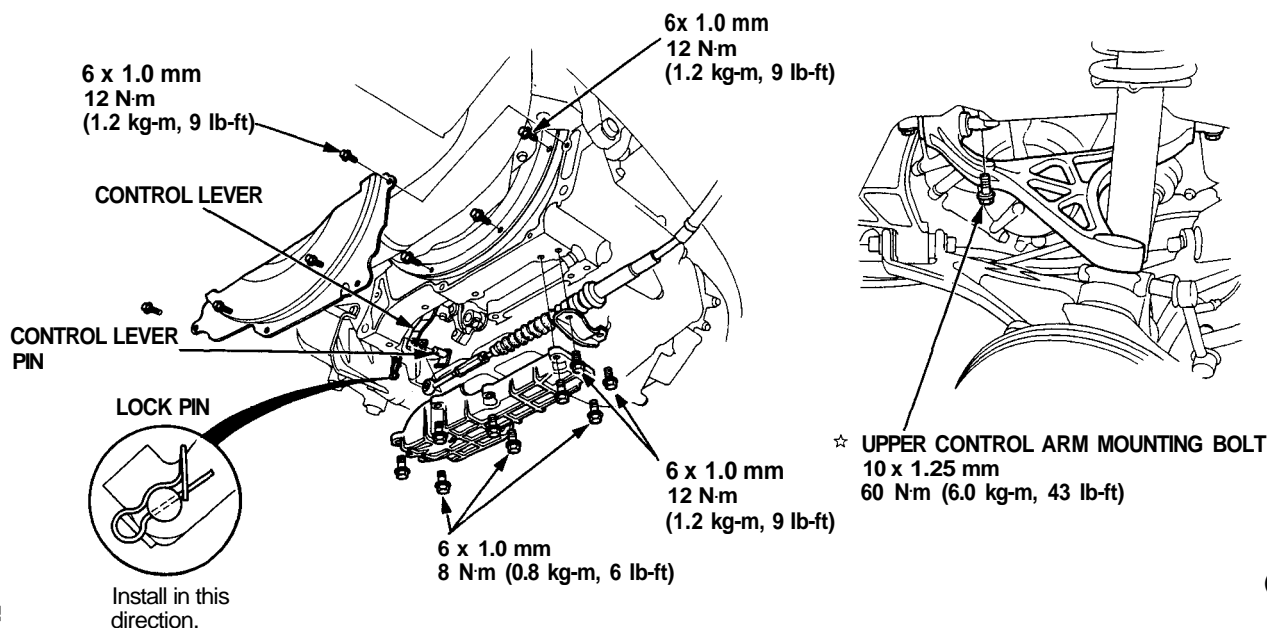
1. Place the transmission on the transmission jack, and raise to the engine level.
2. Check that the 14 mm and 10 mm dowel pins are installed in the torque converter housing.
3. Install the 3 transmission housing mounting bolts.
4. Install the 3 rear transmission mounting bolts.
5. Loosen the front engine mounting bolt and install the 2 front engine mounting bolts to transmission side, then tighten the 3 bolts specified torque.
6. Remove the transmission jack.

☆ : Corrosion resistant bolt/nut



7. Attach the torque converter to the drive plate with 8 bolts to 12 N-m (1.2 kg-m, 9 lb-ft). Rotate the crankshaft as necessary to tighten bolts to 1/2 of specified torque, then final torque, in a crisscross pattern. Check for free rotation after tightening the last bolt.
8. Install the torque converter cover.
9. Install the shift cable, shift cable holder and shift cable cover.
10. Install the upper control arm mounting bolt.

☆ : Corrosion resistant bolt/nut



(cont'd)

Transmission

Installation (cont'd)

11. Install a new set ring on the end of the left driveshaft and intermediate shaft.
12. Install the left driveshaft.
13. Install the lower control arm to the side beam.

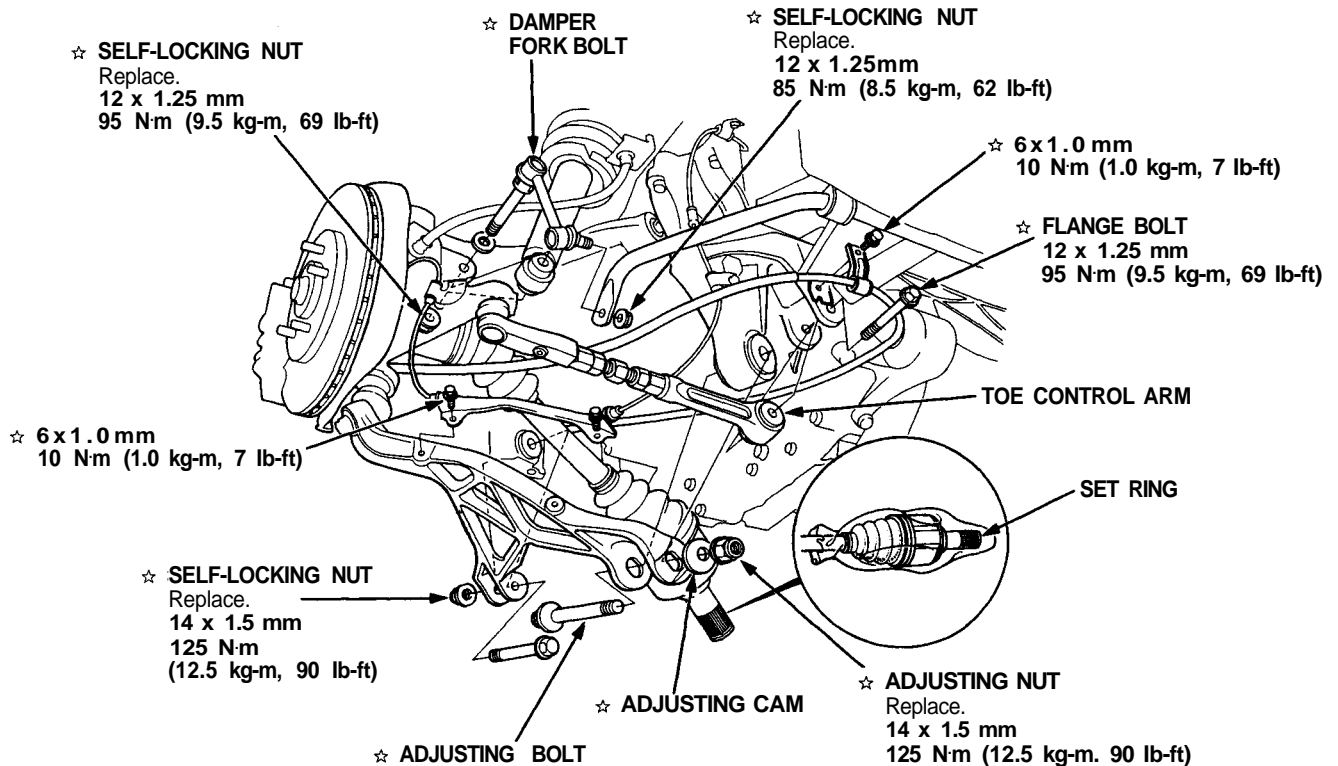
CAUTION: Line up the reference marks on the adjusting boh, adjusting cam and lower control arm.

14. Install the damper fork bolt.
15. Install the toe control arm to the side beam.

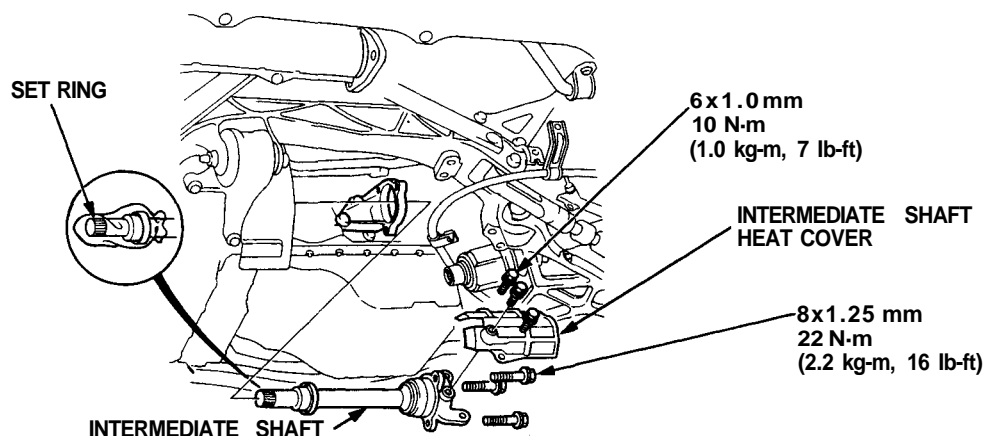
CAUTION: Make sure that the reference marks on the toe control arm are aligned.

16. Install the wheel sensor wire clamp and parking brake cable holder.

☆ : Corrosion resistant bolt/nut



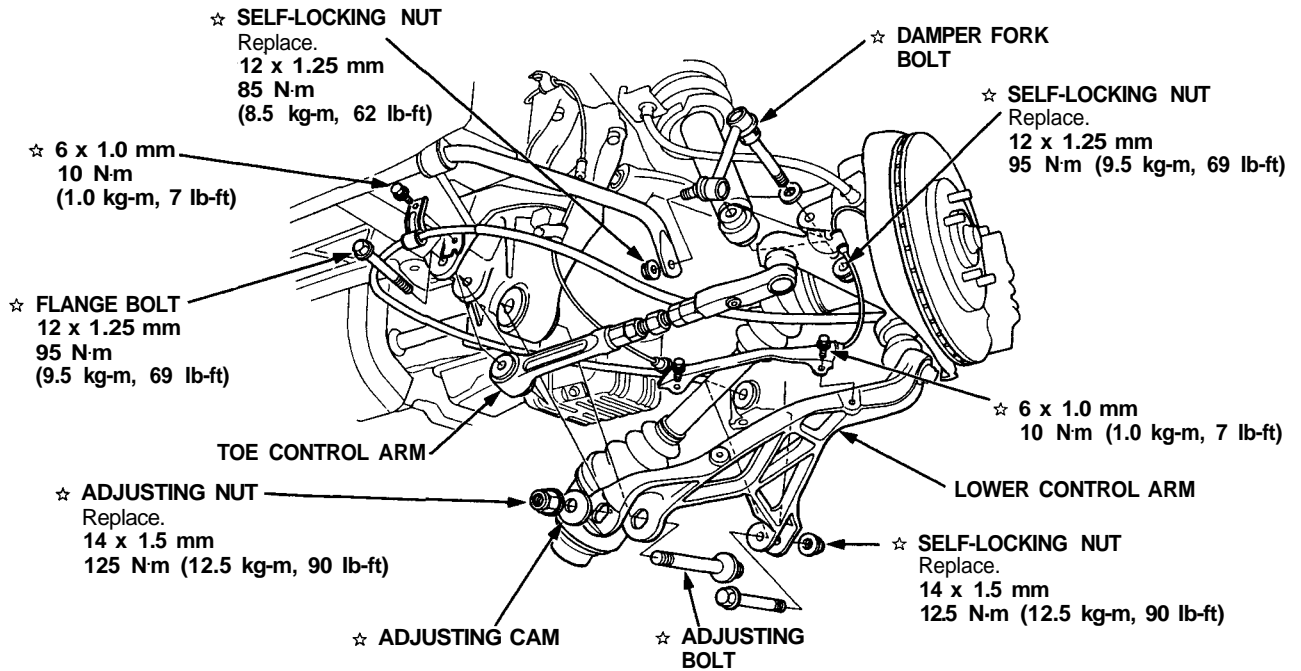
17. Install the intermediate shaft and tighten the intermediate shaft mounting bolts to the intermediate shaft support base.
18. Install the intermediate shaft heat cover.





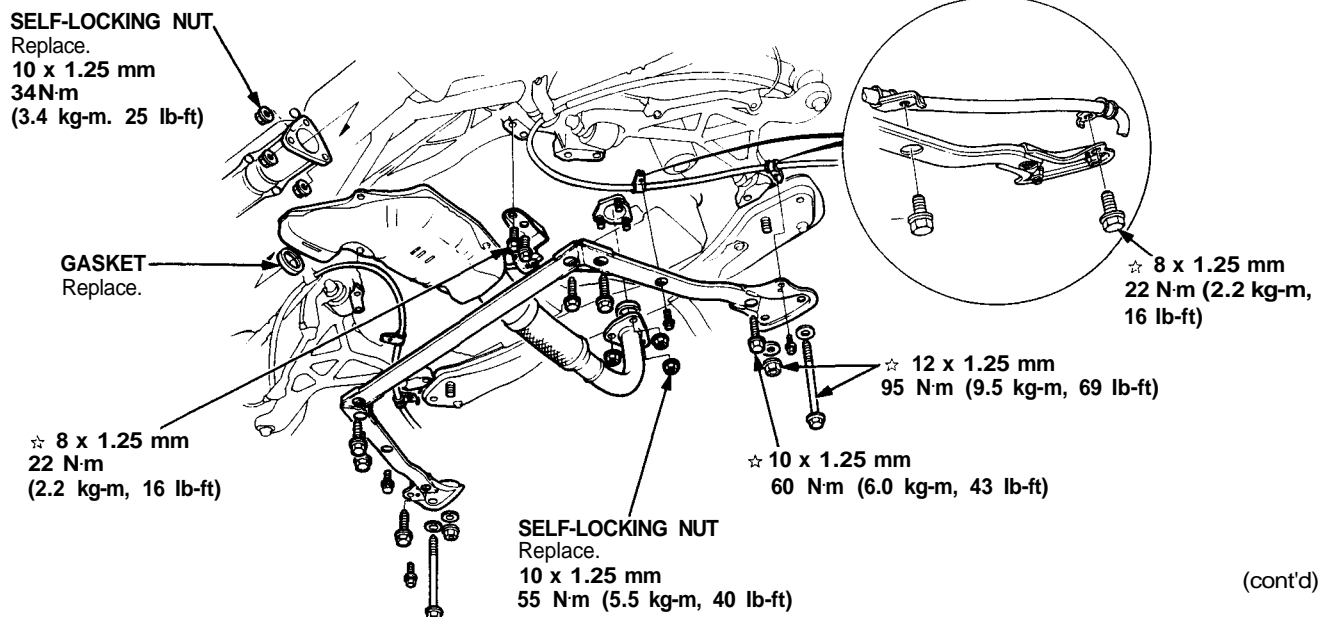
19. Install the right driveshaft on the intermediate shaft.
20. Install the lower control arm to the side beam.
CAUTION: Line up the reference marks on the adjusting bolt, adjusting cam and lower control arm.
21. Install the damper fork bolt.
22. Install the toe control arm to the side beam.
CAUTION: Make sure that the reference marks on the toe control arm are aligned.
23. Install the wheel sensor wire clamp and parking brake cable holder.

☆ : Corrosion resistant bolt/nut



24. Install the front exhaust pipe A.
25. Install the rear beam rod.
26. Install the parking brake cable.

☆ : Corrosion resistant bolt/nut



(cont'd)

Transmission

Installation (cont'd)

27. Install the 3 transmission mounting bolts, and the 2 transmission housing mounting bolts.
28. Install the starter motor and tighten the starter motor mounting bolts.
29. Install the ATF cooler.
30. Connect the transmission ground cable, starter motor cable, solenoid valve wire connectors and vehicle speed sensor (VSS) wire connectors.
31. Install the control box and connect the control box connectors.
32. Install the air cleaner housing.
33. Install the strut bar.

TORQUE: 39 N·m (3.9 kg·m, 28 lb-ft)

34. Refill the transmission with ATF.
35. Connect the battery positive (+) and negative (-) cable to the battery.
36. Inspect the rear camber (see [section 18](#)).
37. Start the engine. Set the parking brake, and shift the transmission through all gears three times. Check for proper shift cable adjustment.
38. Check the ignition timing (see [section 23](#)).
39. Let the engine reach normal operating temperature (the cooling fan comes on) with the transmission in **N** or **P** position, then turn it off and check the fluid level.
40. Road test as described on page [14-88](#).

☆ : Corrosion resistant bolt/nut

