



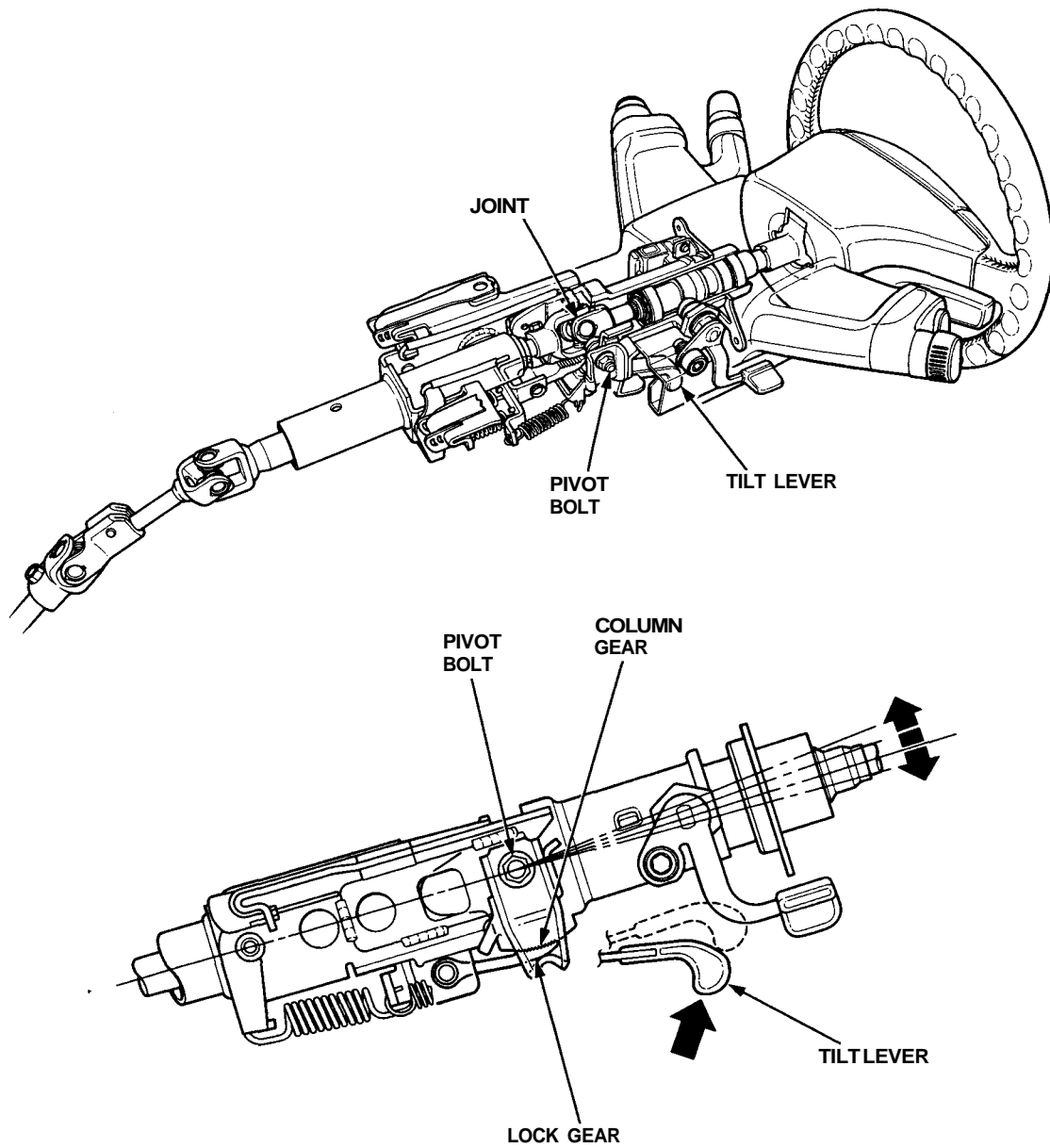
System Description

Steering Column

The NSX has a tilt/telescopic steering column. The tilt/telescopic mechanism makes it possible to adjust the steering wheel in fore and aft, and up and down directions.

Tilt Mechanism

There is a joint on the upper steering shaft, and the portion of the column between the steering wheel and this joint is adjustable up and down. When the tilt lever is operated, the lock gears are detached from the column gear to release the lock. The column moves upward or downward on two pivot bolts. When the tilt lever is returned to a fixed position after selecting the steering wheel height, the lock gear is engaged with the column gear to secure the column.



(cont'd)

System Description

Steering Column (cont'd)

Telescopic Mechanism

The upper steering shaft is divided into two shafts, connected by splines, making it possible for the shaft to telescope while transmitting the rotation of the steering wheel. When the telescopic lever is lowered, the lever pivot turns in a direction to loosen the stopper shim at the tip of the lever pivot, allowing the shaft to make telescope. The telescopic stroke is limited by the slot and stopper on the movable shaft. After selecting a steering wheel position and returning the telescopic lever to the fastening position, the stopper shim is pressed against the movable shaft the lever pivot to fasten the sliding part.

