

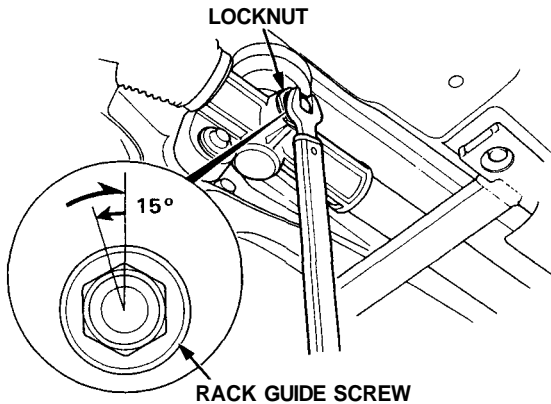


# Steering Gearbox Adjustment

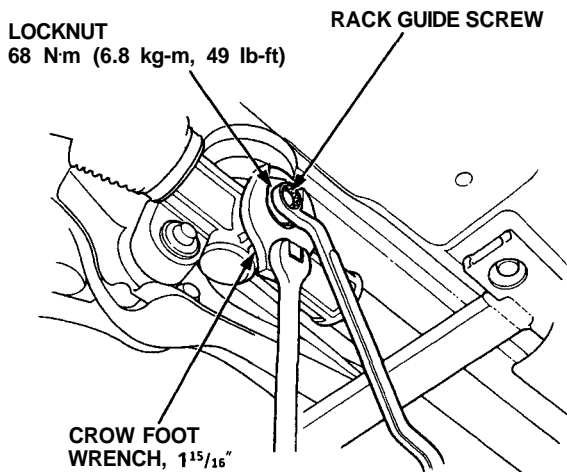
**⚠ WARNING** Serious burns may result if you touch any cooling components when the cooling system is hot.

## Manual Steering:

1. Loosen the rack guide screw locknut.
2. Tighten, loosen and retighten the rack guide screw two times to 5 N·m (0.5 kg·m, 3.6 lb·ft), then back it off 15°.

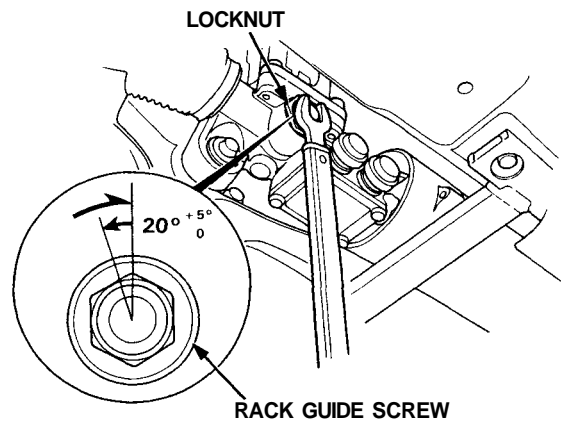


3. Tighten the locknut on the rack guide screw.
4. Check for tight or loose steering through the complete turning travel.
5. Recheck steering effort.



## Electrical Power Steering:

1. Loosen the rack guide screw locknut.
2. Tighten, loosen and retighten the rack guide screw two times to 4 N·m (0.4 kg·m, 2.9 lb·ft), then back it off 20° <sup>+5°</sup>/<sub>0</sub>.



3. Tighten the locknut on the rack guide screw with the special tool.
4. Check for tight or loose steering through the complete turning travel.
5. Recheck steering assist.

