

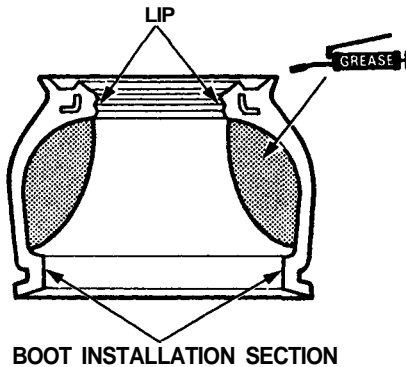
Manual Steering

Ball Joint Boot Replacement

1. Remove the circlip and the boot.

CAUTION: Do not contaminate the boot installation section with grease.

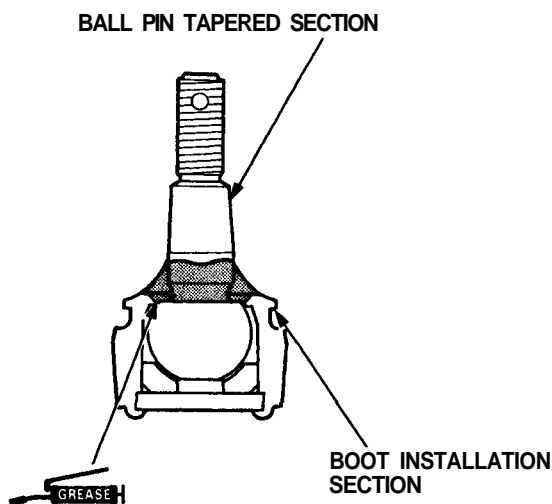
2. Pack the interior of the boot and lip with grease.



3. Wipe the grease off the sliding surface of the ball pin, then pack the lower area with fresh grease.

CAUTION:

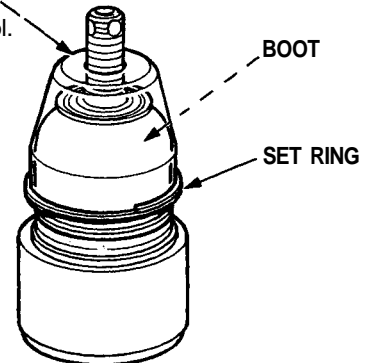
- Keep grease off the boot installation section and the tapered section of the ball pin.
- Do not allow dust, dirt, or other foreign materials to enter the boot.



4. Install the boot in the groove of the boot installation section securely, then bleed air.

5. Insert the special tool into the threads in the ball pin and align the end of the tool with the groove in the boot. Slide the set ring over the tool and into position.

**BALL JOINT
BOOT CLIP
GUIDE
07MAG-SL00100**
Adjust the depth
by turning the tool.



CAUTION: After installing the boot, check the ball pin tapered section for grease contamination and wipe it off if necessary.