

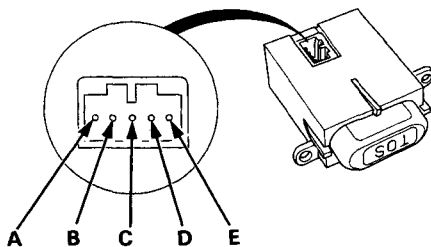
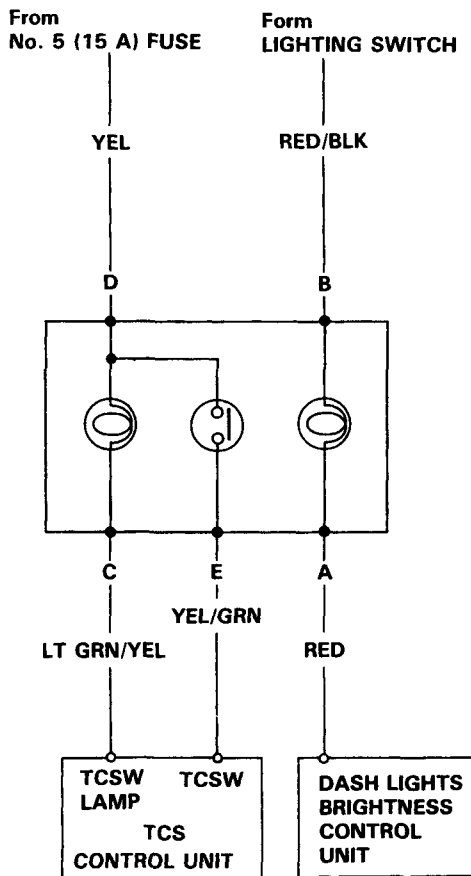


Electronic Components

TCS Switch Test

There should be continuity between the D and E terminals when the switch is pushed and there should be no continuity when the switch is released.

- D-C : Indicator light
- D-E : Switch
- B-A : Light



Fail-Safe Relay Test

There should be continuity between the A and B terminals when the battery is connected to the C and D terminals.

There should be no continuity between the A and B terminals when the battery is disconnected.

