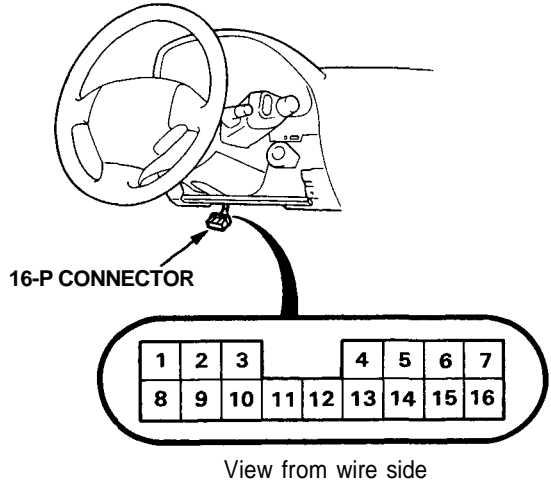




# Combination Light /Turn Signal Switch Test

1. Remove the dashboard lower cover and knee bolster pad.
2. If necessary, remove the knee bolster.
3. Disconnect the 16-P connector from the floor wire harness.
4. Check for continuity between the terminals, in each switch position according to the table.



## Headlight/Dimmer/Passing Switch

Terminal		1	2	3	4	6	7	10	11	13	14	16
Position												
All position						○	○	○		○		○
Headlight switch	OFF			○					○			
	•	○	←		○							
	•	○	←	○				○			○	
Dimmer switch	LOW	○	←					○				○
		○	←		○							
	HIGH	○	←					○				○
Passing switch	ON					○	○	○	←	○	○	
						○	○	○				
		○	←									○

## Turn Signal Switch

Terminal		5	8	9
Position				
RIGHT		○	→	○
NEUTRAL				
LEFT		○	→	○