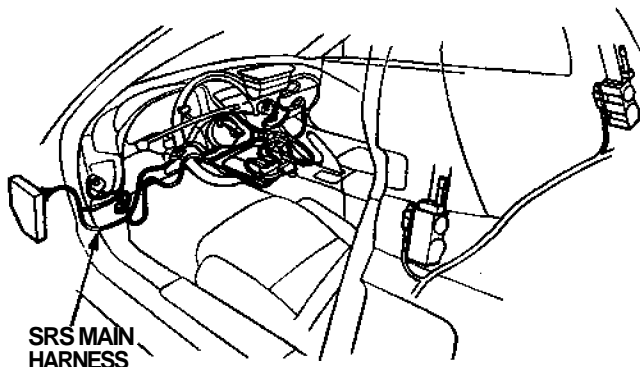


Lighting System

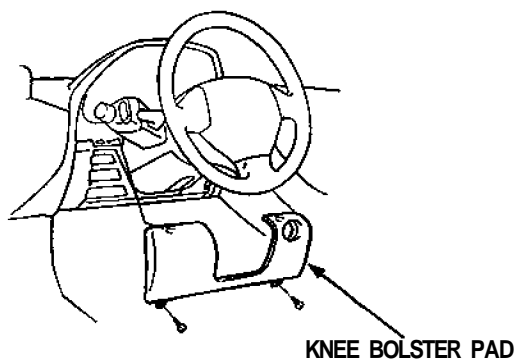
Headlight/Turn Signal Switch Replacement

CAUTION:

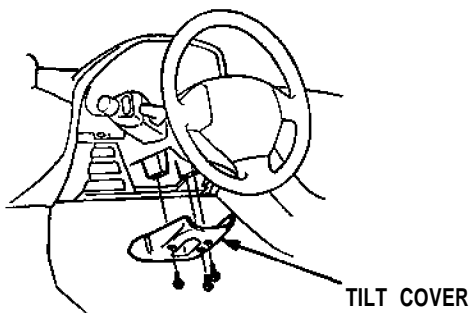
- All SRS wiring harnesses are covered with yellow outer insulation.
- Before disconnecting any part of the SRS wire harness, install the short connectors (page 24-10('93-'96)).
- Replace the entire affected SRS harness assembly if it has an open circuit or damaged wiring.



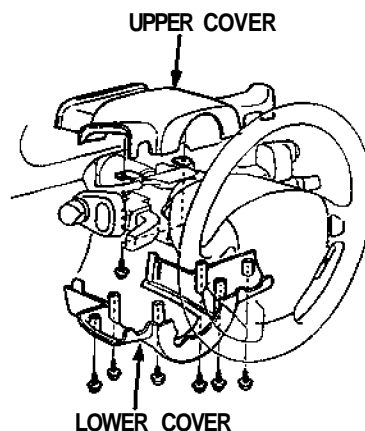
1. Remove the knee bolster pad.



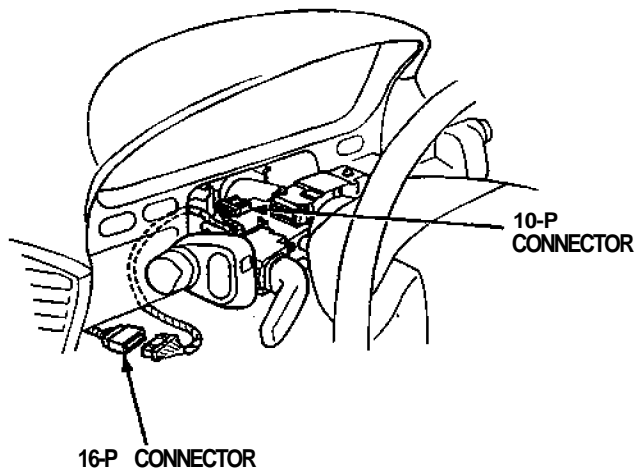
2. Remove the tilt cover.



3. Remove the steering column lower cover and upper cover.

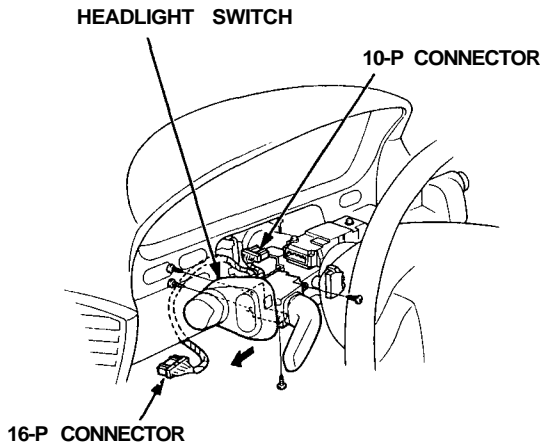


4. Disconnect the 16-P connector and 10-P connector.

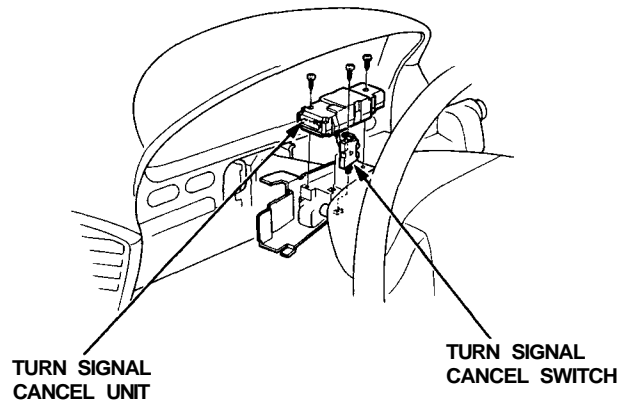




5. Remove the four screws from the headlight switch.

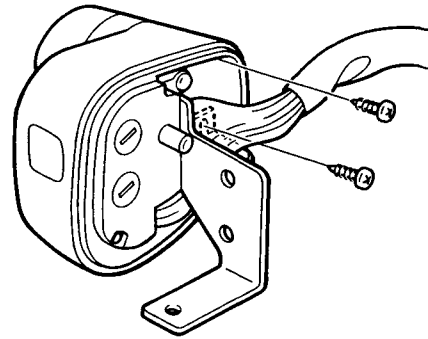


6. Disconnect the 10-P connector from the turn signal cancel unit, then remove the headlight switch and turn signal switch.
7. Separate the headlight switch from the turn signal switch.
8. If necessary, remove the turn signal cancel unit and cancel switch.

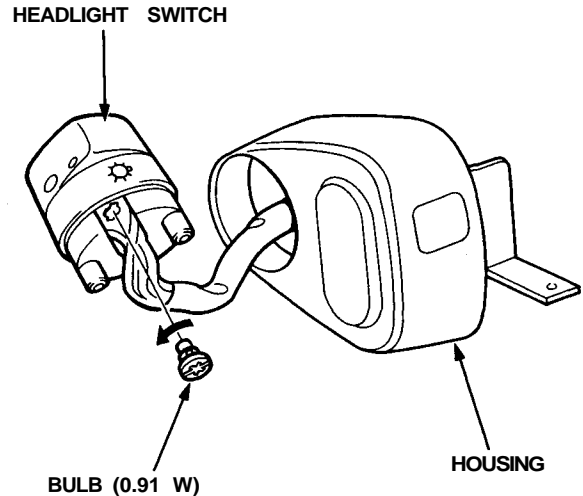


Headlight Switch Light Bulb Replacement

1. Remove the headlight switch (see [previous page](#)).
2. Remove the two screws.



3. Slide the headlight switch out of the housing as shown.



4. Remove the bulb from the switch by turning it 45°.