

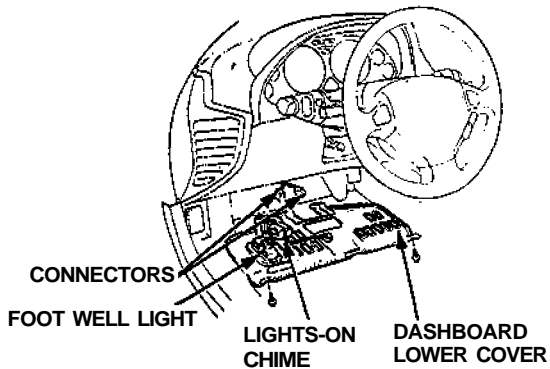


Switch Removal

CAUTION:

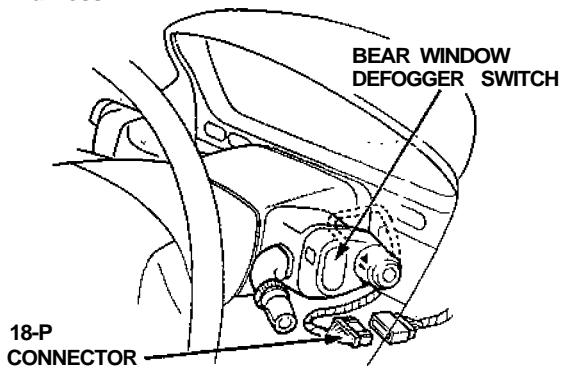
- All SRS wiring harnesses are covered with yellow outer insulation.
- Before disconnecting any part of the SRS wire harness, install the short connectors (see page 24-10('93-'96)).
- Replace the entire affected SRS harness assembly if it has an open circuit or damaged wiring.

1. Remove the dashboard tower cover and disconnect the connectors from the floor wire harness.

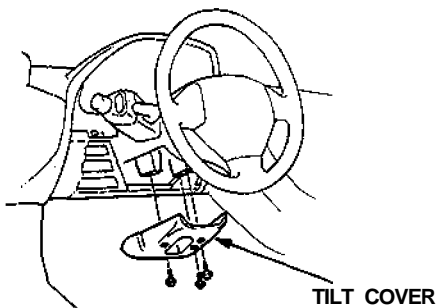


2. Disconnect the 18-P connector from the floor wire harness.

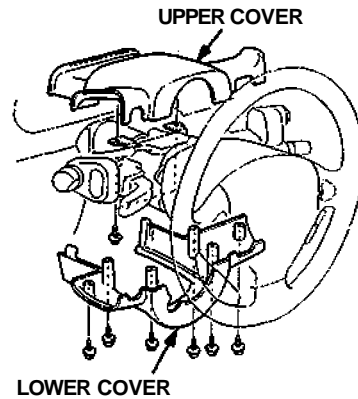
CAUTION: Be careful not to damage the SRS wire harness.



3. Remove the tilt cover.



4. Remove the steering column lower cover and upper cover.



NOTE: Be careful not to damage the steering column covers.

5. Remove the four screws, then remove the rear window defogger switch and windshield wiper/washer switch assembly.

