



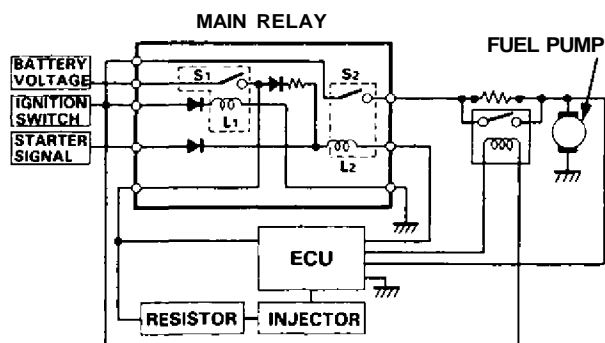
Main Relay

Description

The main relay actually contains two individual relays. This relay is installed behind the passengers seat back panel.

One relay is energized whenever the ignition is on which supplies the battery voltage to the ECU, power to the injectors, and power for the second relay.

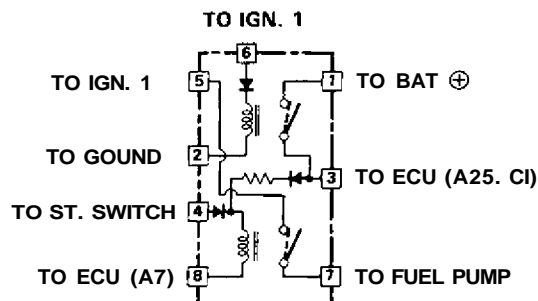
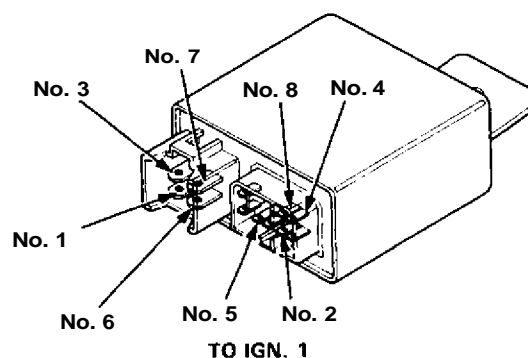
The second relay is energized for 2 seconds when the ignition is switched on, and when the engine is running which supplies power to the fuel pump.



Relay Testing

NOTE: If the car starts and continues to run, the main relay is OK.

1. Remove the main relay.
2. Attach the battery positive terminal to the No. 4 terminal and the battery negative terminal to the No. 8 terminal of the main relay. Then check for continuity between the No. 5 terminal and No. 7 terminal of the main relay.
 - If there is continuity, go on to step 3.
 - If there is no continuity, replace the relay and retest.



3. Attach the battery positive terminal to the No. 6 terminal and the battery negative terminal to the No. 2 terminal of the main relay. Then check that there is continuity between the No. 1 terminal and No. 3 terminal of the main relay.
 - If there is continuity, go on to step 4.
 - If there is no continuity, replace the relay and retest.
4. Attach the battery positive terminal to the No. 3 terminal and battery negative terminal to the No. 8 terminal of the main relay. Then check that there is continuity of the main relay. Then check that there is continuity between the No. 5 terminal and No. 7 terminal of the main relay.
 - If there is continuity, the relay is OK; If the fuel pump still does not work, go to Harness Testing in the next column.
 - If there is no continuity, replace the relay and retest.

(cont'd)