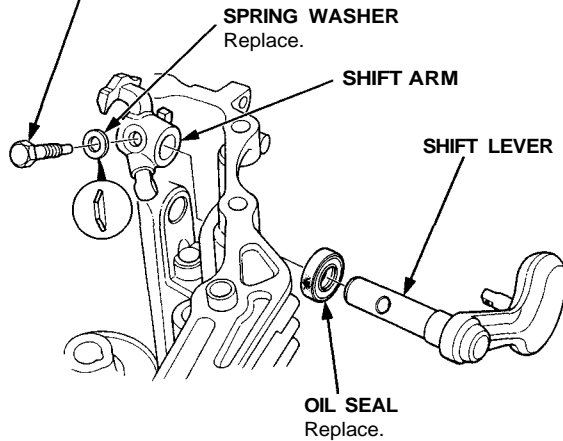


Transmission

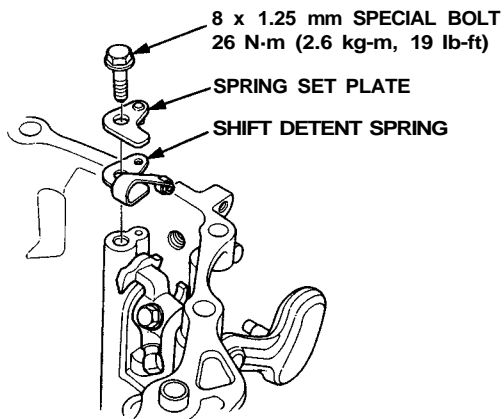
Reassembly

1. Install the oil seal, shift arm and shift lever in the transmission housing.

8 x 1.0 mm SPECIAL BOLT
32 N·m (3.2 kg-m, 23 lb-ft)

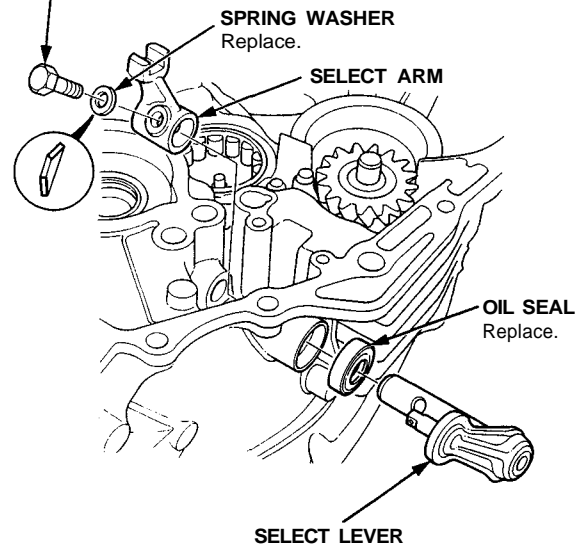


2. Install the shift detent spring and spring set plate.

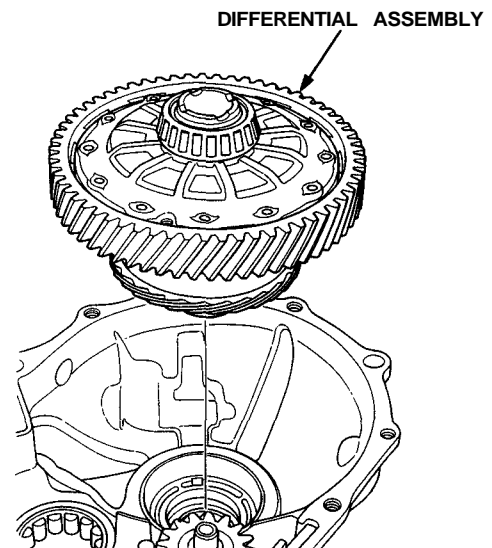


3. Install the oil seal, select arm and select lever in the clutch housing.

8 x 1.0 mm SPECIAL BOLT
32 N·m (3.2 kg-m, 23 lb-ft)



4. Install the differential assembly in the clutch housing.



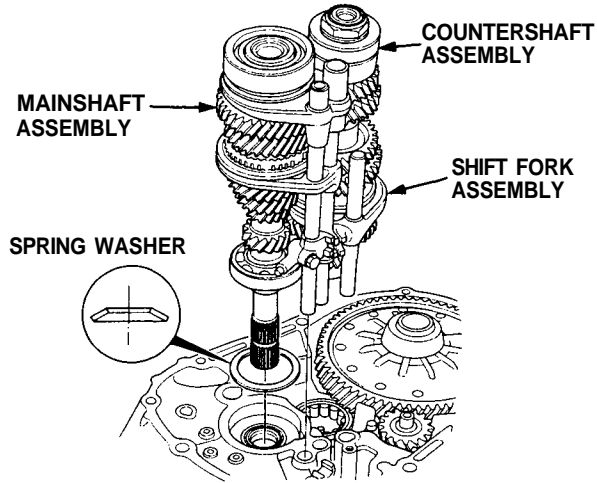
(cont'd)

Transmission

Reassembly(cont'd)

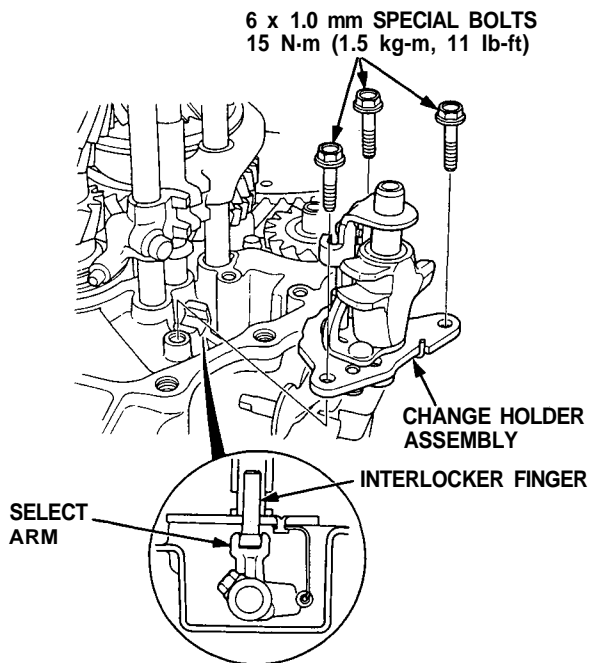
5. Install the spring washer, then insert the mainshaft and countershaft into the shift forks and install them as an assembly.

NOTE: Tape the mainshaft spline, before installation.

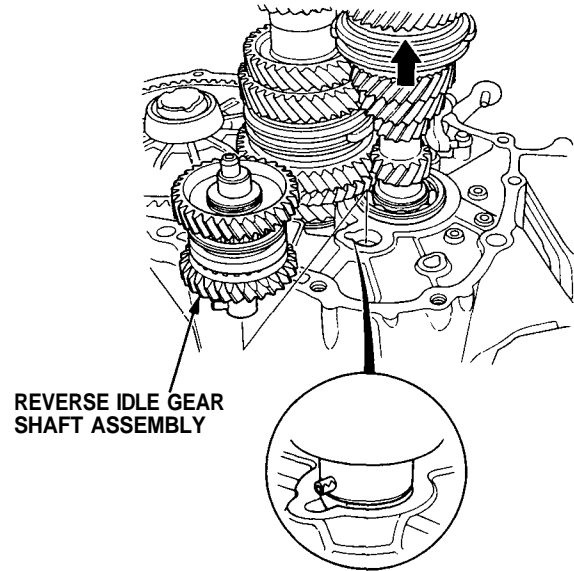


6. Install the change holder assembly in the clutch housing.

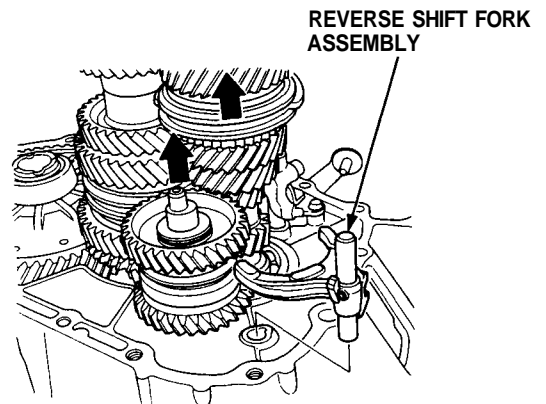
NOTE: Plate the interlocker finger in the groove of the select arm.

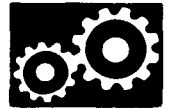


7. Lift the mainshaft assembly, then install the reverse idle gear shaft assembly with the spring pin matching the groove of the clutch housing.

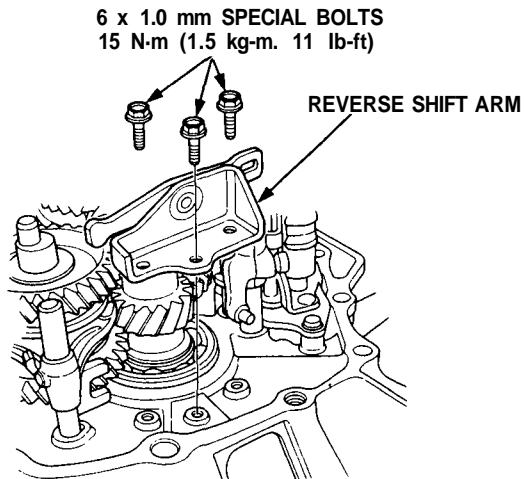


8. Shift the reverse shift fork to the driven gear side. Lift the mainshaft assembly and reverse idle gear shaft assembly, then install the reverse shift fork assembly.



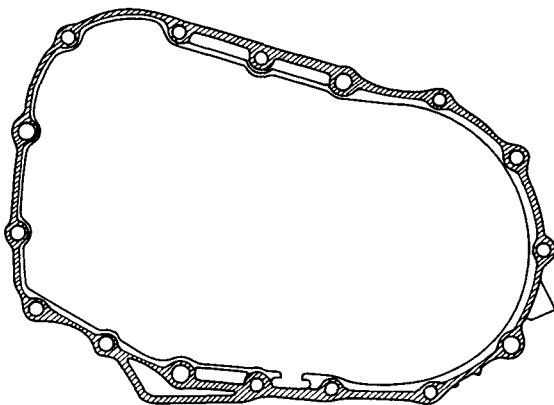


9. Install the reverse shift arm.



10. Apply liquid gasket to the transmission mating surface of the clutch housing.

NOTE: This transmission uses no gasket between the major housings; use Honda Genuine liquid gasket (P/N 08718—0001). Assemble the housing within 20 minutes after applying the liquid gasket and allow it to cure at least 30 minutes after assembly before filling it with oil.

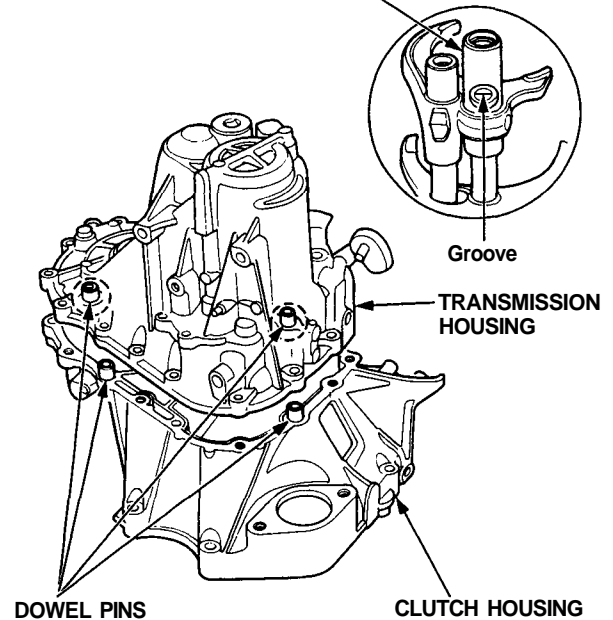


11. Install the dowel pins on the clutch housing.

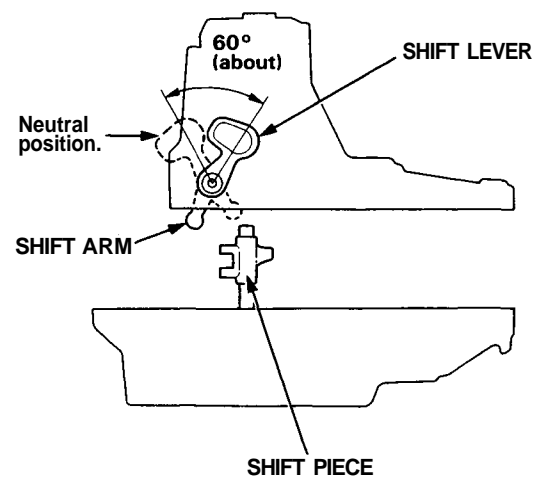
12. Place the transmission housing over the clutch housing, being careful to line up the shafts.

NOTE: Make sure the 3rd/4th shift fork shaft collar mates with the 3rd/4th shift fork shaft.

3RD/4TH SHIFT FORK SHAFT COLLAR



a. Place the shift lever as a shown.

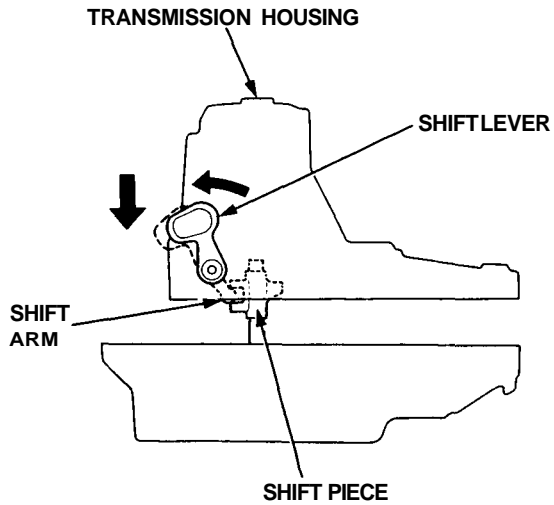


(cont'd)

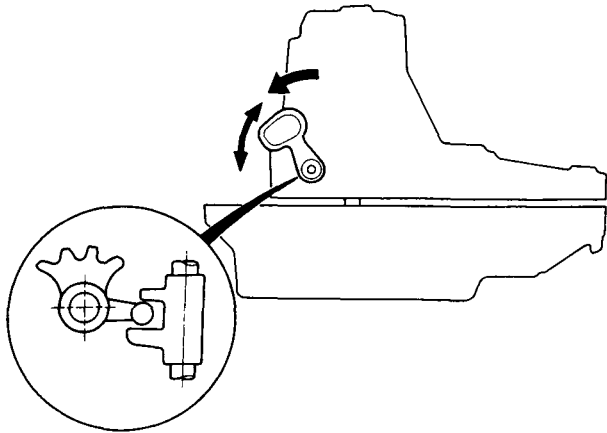
Transmission

Reassembly (cont'd)

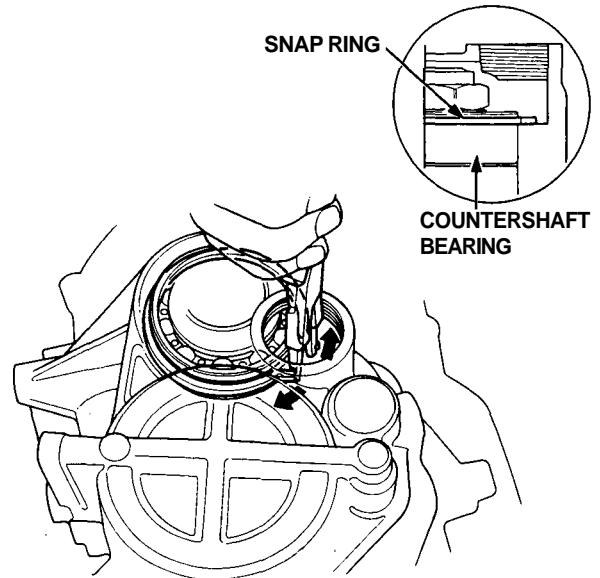
- b. Lower the transmission housing, then place the shift arm in the groove of the shift piece by turning the shift lever.



- c. Check the operation of the shift lever.

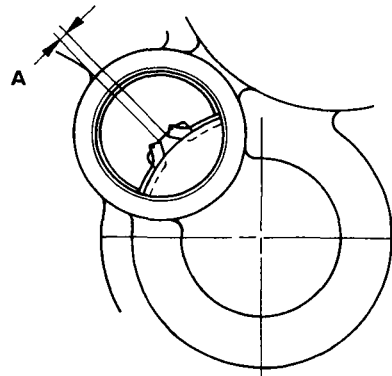


13. Lower the transmission housing with the snap ring expanded and set the snap ring in the groove of the countershaft bearing.



14. Check that the snap ring is securely seated in the groove of the countershaft bearing.

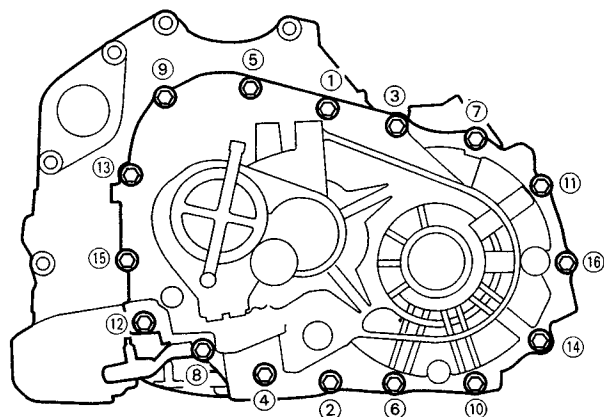
**Dimension A as installed: 1.60–8.15 mm
(0.0630–0.3209 in)**





15. Tighten the transmission housing attaching bolts in the numbered sequence shown below.

Torque: 45 N-m (4.5 kg-m, 33 lb-ft)



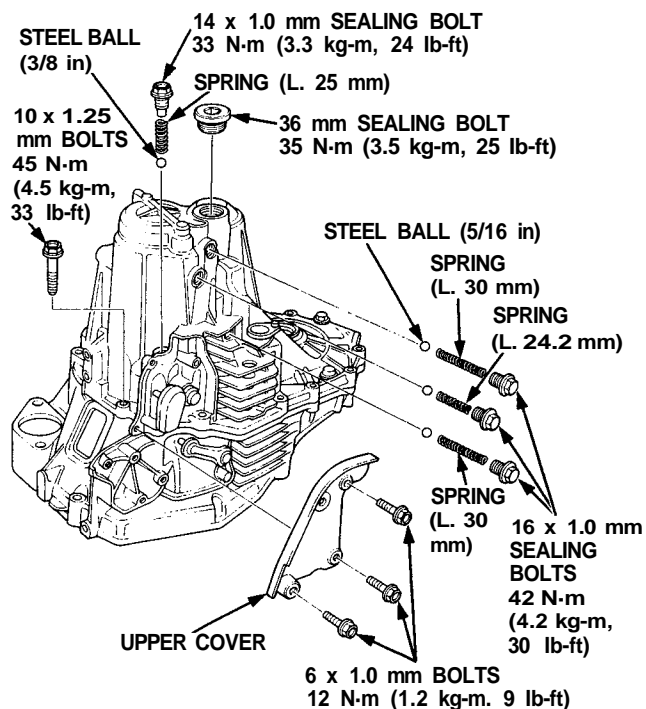
16. Install the 36 mm sealing bolt.

NOTE: Apply Honda Genuine liquid gasket (P/N 08718-0001) to the flange.

17. Install the steel balls, spring and sealing bolts.

NOTE: Apply Honda Genuine liquid gasket (P/N 08718-0001) to the threads, but don't plug the hole with liquid gasket.

18. Install the upper cover.



19. Install the back-up light switch and neutral switch.

NOTE: Apply Honda Genuine liquid gasket (P/N 08718-0001) to the threads.

20. Install the speed sensor.

