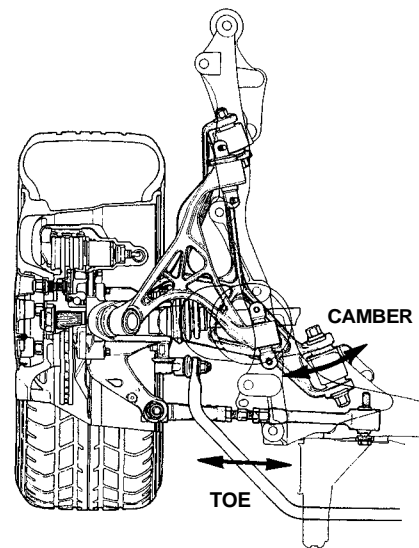
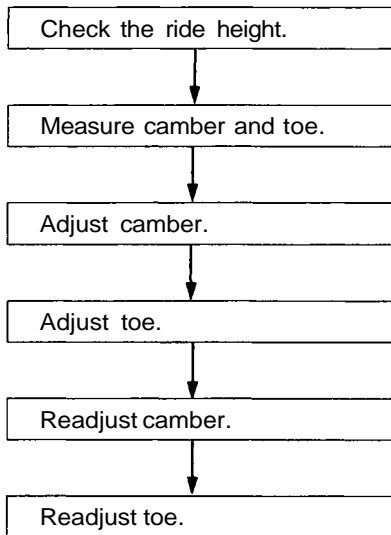




## Rear Wheel Alignment Adjusting Procedure

<Rear wheel alignment adjusting procedure>



(cont'd)

# Wheel Alignment

## Rear Wheel Alignment Adjusting Procedure (cont'd)

### NOTE:

- NSX four wheel alignment requires the use of equipment designed specifically for four wheel independent suspensions and capable of immediate feedback.

1. Drive the car on the alignment rack.
2. Check the tire pressure and ride height as described on page 18-6.
3. Center the steering wheel.

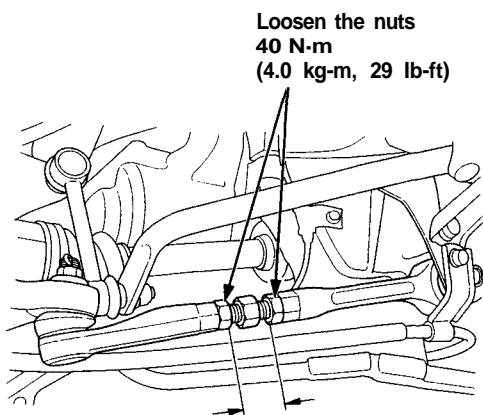
### Toe

- 1. Measure the length of the threaded section on the right and left toe control arms.

**Standard: 40 mm**

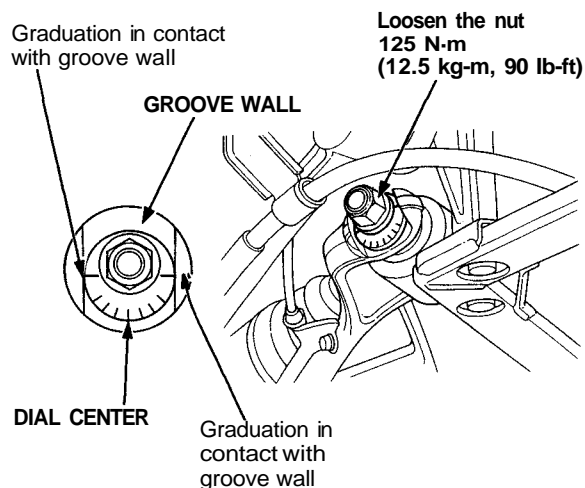
**Difference between right and left: 1 mm max.**

- 2. If the measurement is out of specification, loosen the locknut and adjust properly.



### Camber

- 1. Loosen the locknut on the rear lower control arm adjusting point and adjust the cam position so that the right and left graduations on the adjusting cam are in contact.
- 2. Mark the arm in the position which aligns with the dial center of the adjusting cam.



4. Measure the readings for camber and toe according to the alignment equipment manufacturer's instructions.
5. Adjust the camber and toe at the same time on one side of the car. Repeat for the other side of the car.

### Rear Specifications

**Toe-in: 6.0 ± 1.0 mm**

**Camber: -1°30' ± 30'**