

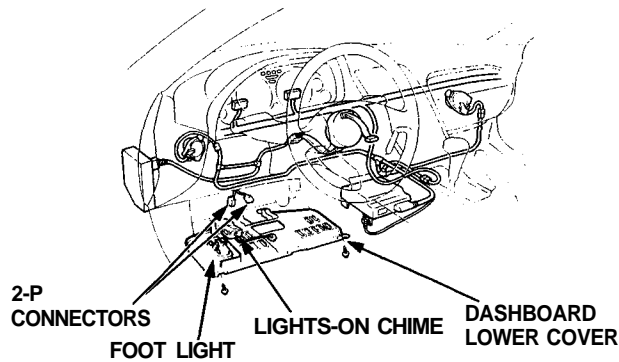


Switch Removal

CAUTION:

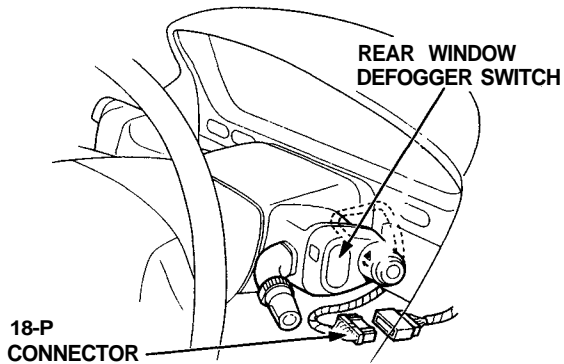
- All SRS electrical wiring harnesses are covered with yellow outer insulation.
- Before disconnecting the SRS wire harness, install the short connector on the airbag (see page 23-323).
- Replace the entire affected SRS harness assembly if it has an open circuit or damaged wiring.

1. Remove the dashboard lower cover and disconnect the 2-P connectors from the floor wire harness.

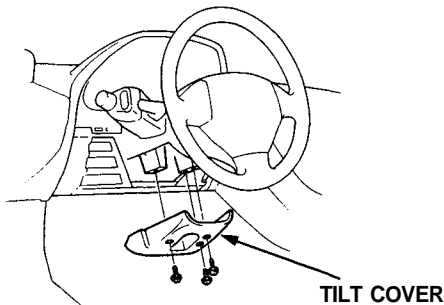


2. Disconnect the 18-P connector from the floor wire harness.

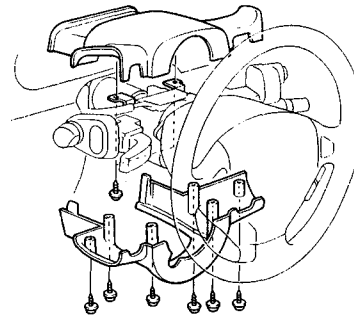
CAUTION: Be careful not to damage SRS wires.



3. Remove the tilt cover.



4. Remove the steering column lower cover and upper cover.



NOTE: Be careful not to damage the steering column covers.

5. Remove the 4 screws, then remove the rear window defogger switch and wiper/washer switch assembly.

