

Wipers/Washers

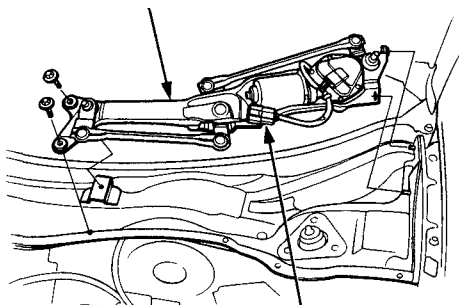
Windshield Wiper Motor Replacement

1. Open the hood and remove the cap nuts and the wiper arms.

NOTE: Carefully remove the wiper arms so that they do not touch the hood.

2. Remove the windshield lower molding, hood seal and air scoop by prying off the trim clips and removing the screws (see page 23-281).
3. Disconnect the 5-P connector from the wiper motor assembly, then remove the 2 mounting bolts and the wiper linkage assembly.

WIPER LINKAGE ASSEMBLY



5-P CONNECTOR

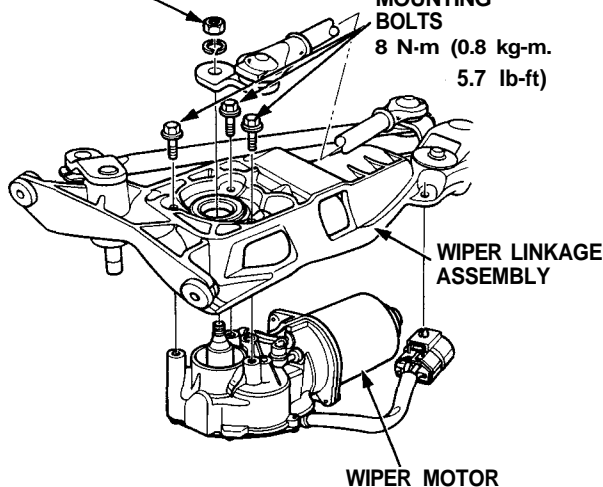
4. Remove the 3 mounting bolts and 1 nut from the wiper linkage assembly to remove the wiper motor.

NUT

18 N·m (1.8 kg·m, 12.8 lb·ft)

MOUNTING BOLTS

8 N·m (0.8 kg·m, 5.7 lb·ft)

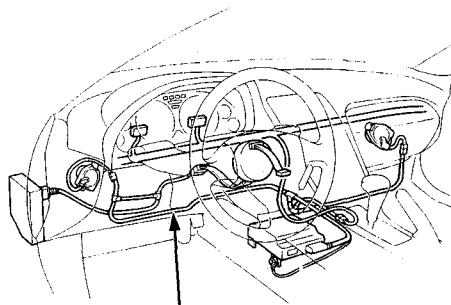


5. Install the wiper motor assembly in the reverse order of removal.

Wiper/Washer Switch Replacement

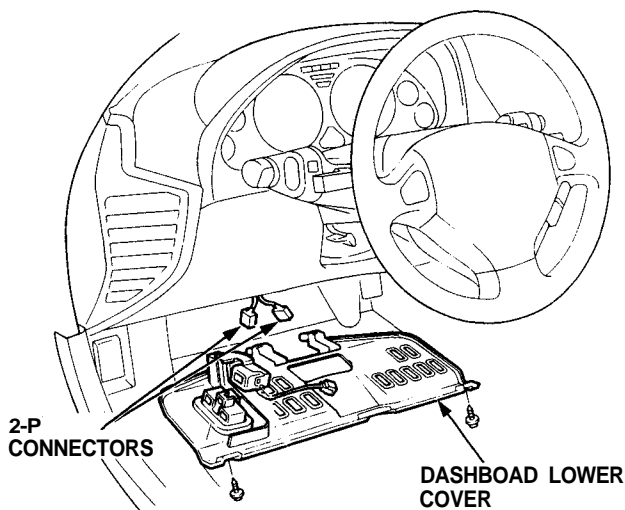
CAUTION:

- All SRS electrical wiring harnesses are covered with yellow outer insulation.
- Before disconnecting the SRS wire harness, install the short connector on the airbag (see page 23-323).
- Replace the entire affected SRS harness assembly if it has an open circuit or damaged wiring.



SRS MAIN WIRE HARNESS

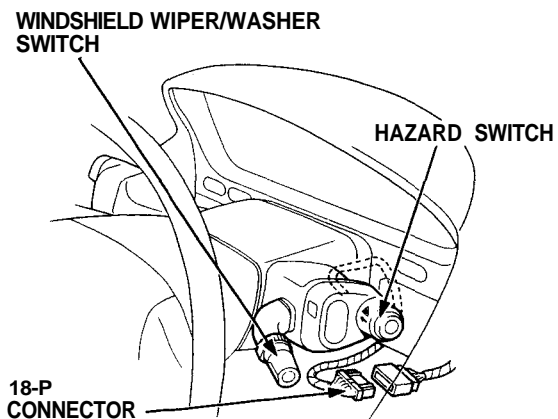
1. Remove the dashboard lower cover and disconnect the 2-P connectors from the floor wire harness.



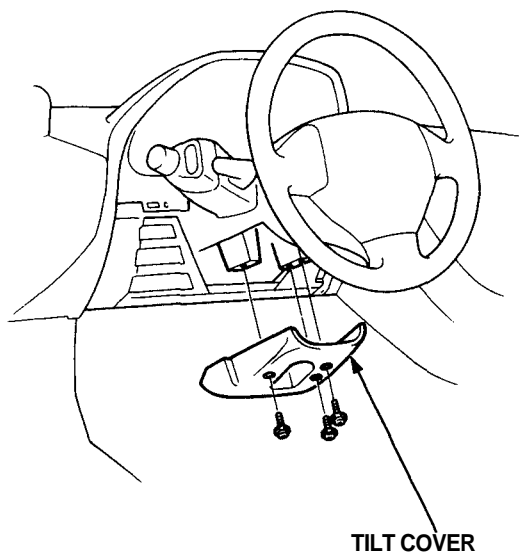


2. Disconnect the 18-P connector from the floor wire harness.

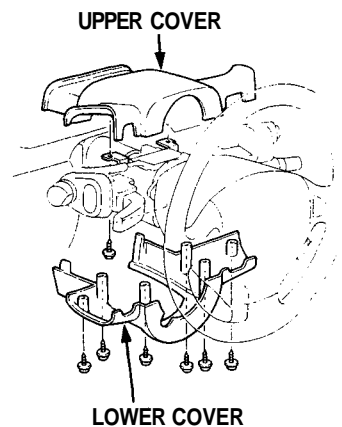
CAUTION: Be careful not to damage the SRS wires.



3. Remove the tilt cover.



4. Remove the steering column lower cover and upper cover.



NOTE: Be careful not to damage the steering column covers.

5. Remove the 4 screws, then remove the hazard switch and wiper/washer switch assembly.

