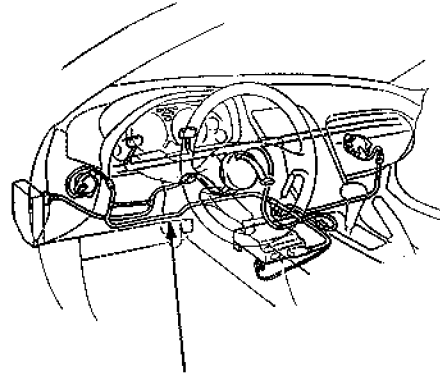


# Cruise Control

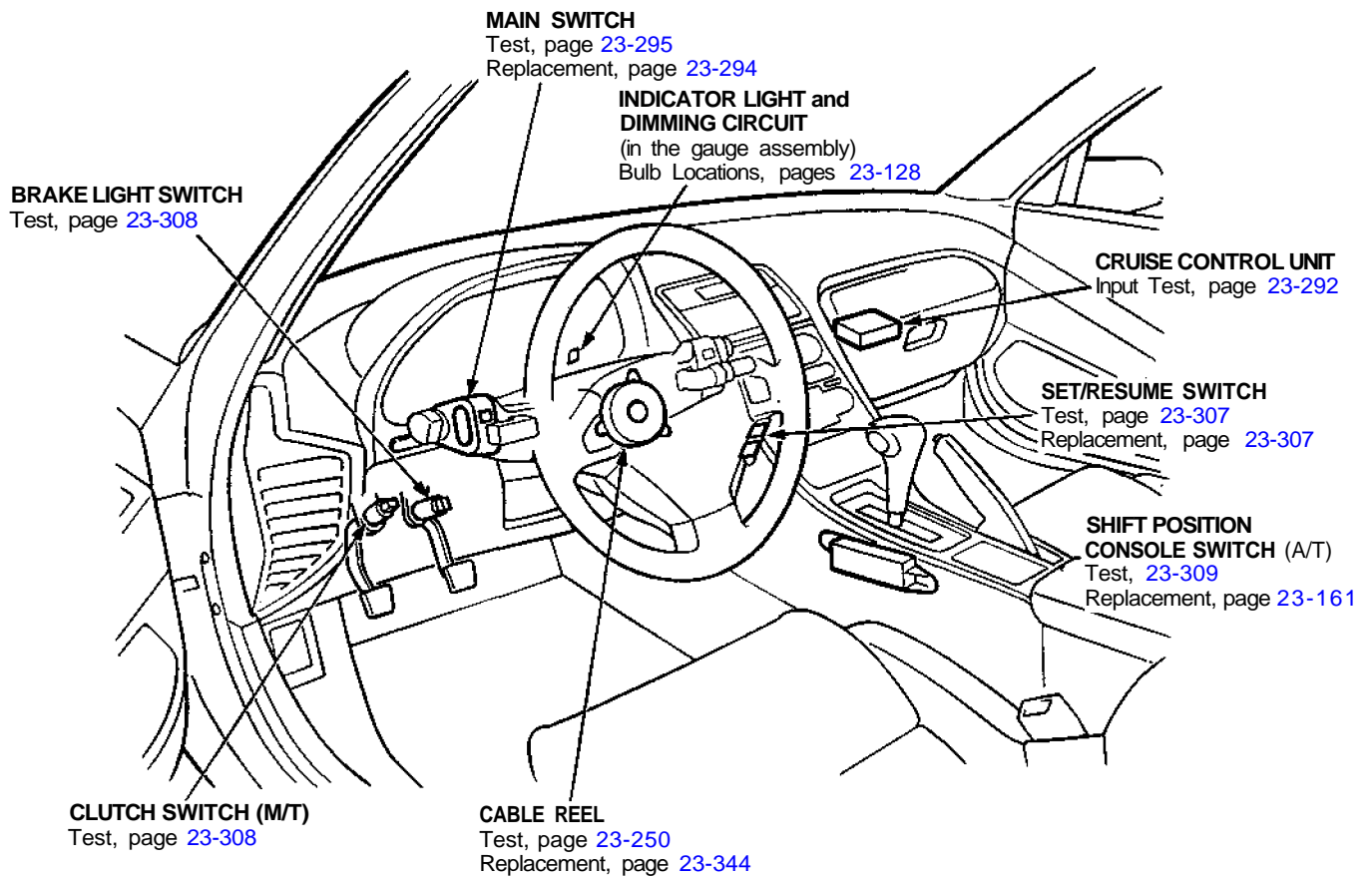
## Component Location Index

### CAUTION:

- All SRS electrical wiring harnesses are covered with yellow outer insulation.
- Before disconnecting the SRS wire harness, install the short connector on the airbag (see page 23-323).
- Replace the entire affected SRS harness assembly if it has an open circuit or damaged wiring.



SRS MAIN WIRE MARNESS



### MAIN SWITCH

Test, page 23-295

Replacement, page 23-294

### INDICATOR LIGHT and DIMMING CIRCUIT

(in the gauge assembly)

Bulb Locations, pages 23-128

### BRAKE LIGHT SWITCH

Test, page 23-308

### CRUISE CONTROL UNIT

Input Test, page 23-292

### SET/RESUME SWITCH

Test, page 23-307

Replacement, page 23-307

### SHIFT POSITION

CONSOLE SWITCH (AT)

Test, 23-309

Replacement, page 23-161

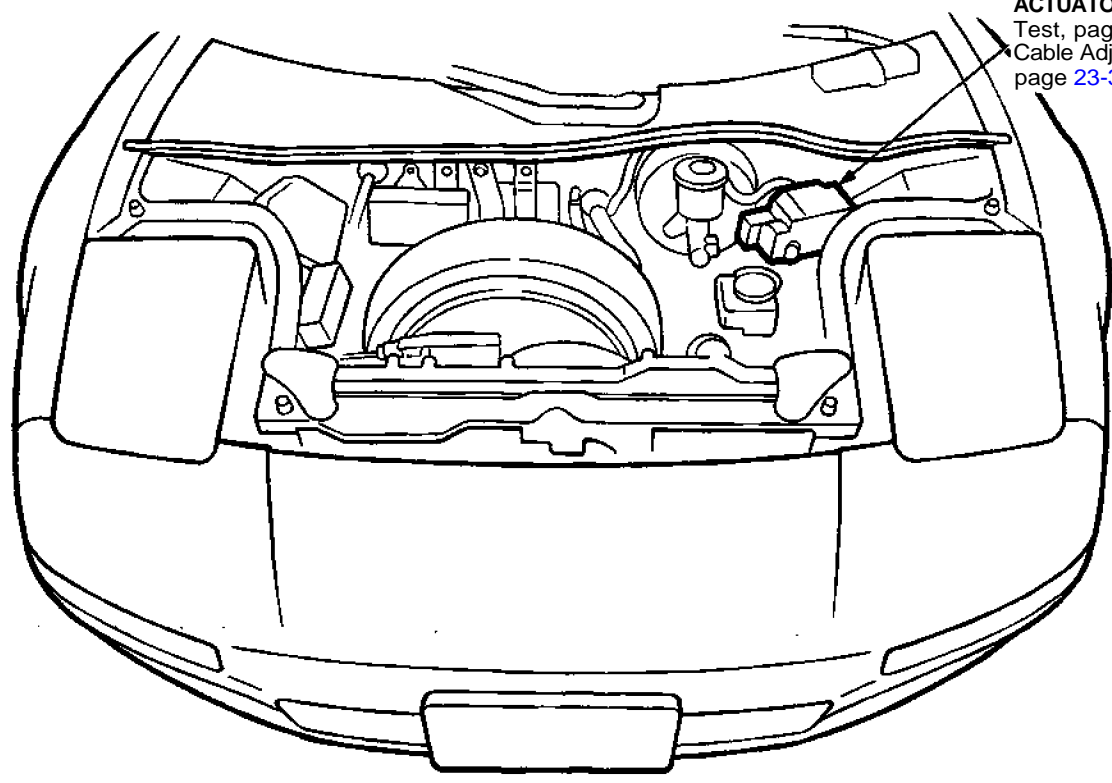
### CLUTCH SWITCH (M/T)

Test, page 23-308

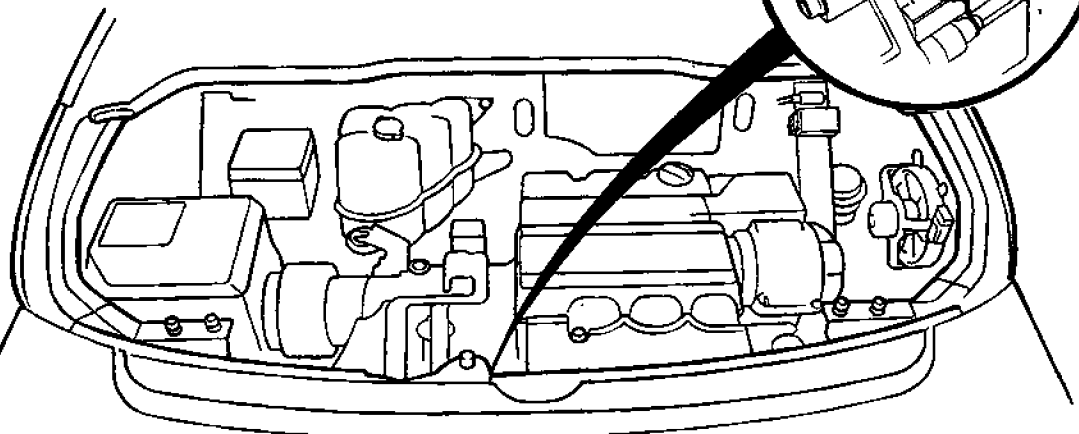
### CABLE REEL

Test, page 23-250

Replacement, page 23-344



**ACTUATOR ASSEMBLY**  
Test, page [23-302](#)  
Cable Adjustment,  
page [23-303](#)



**SPEED SENSOR**  
Test, page [23-129](#)