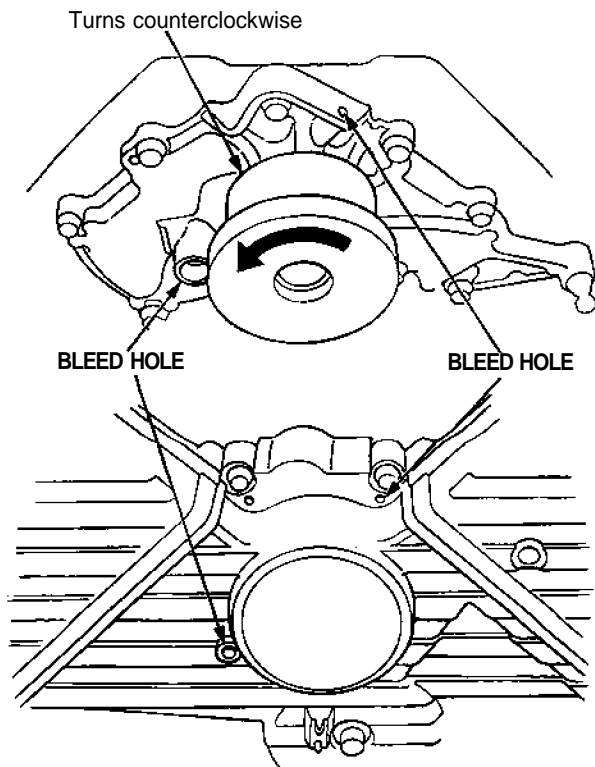




## Inspection

1. Remove the timing belt (see page 6-15 ('91-'93) or ('94-'96)).
2. Check that the water pump pulley turns counterclockwise.
3. Check for signs of seal leakage.

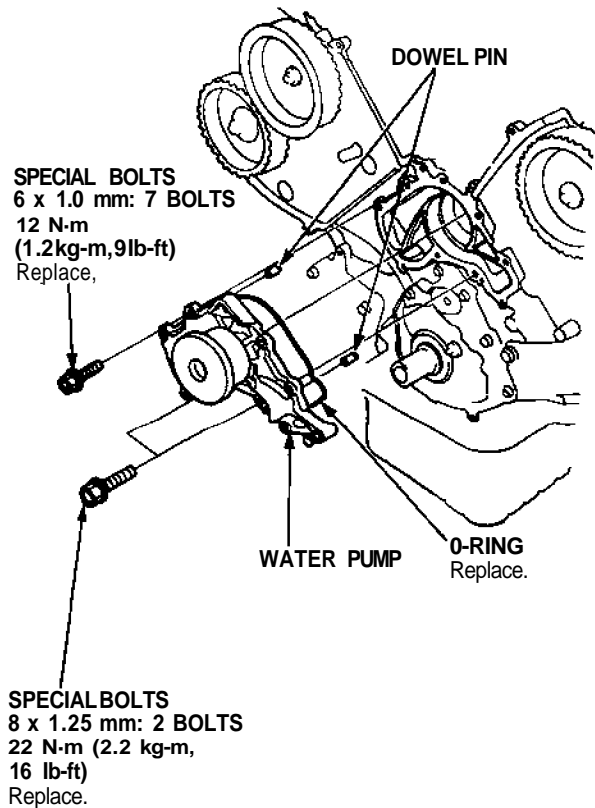
NOTE: A small amount of "weeping" from the bleed hole is normal.



## Replacement

1. Remove the timing belt (see page 6-15 ('91-'93) or ('94-'96)).
2. Unscrew the bolts, then remove the water pump.

NOTE: Inspect and clean the O-ring groove and mating surface with the cylinder block.



3. Install the water pump in the reverse order of removal.

NOTE:

- Keep the O-ring in position when installing.
- Clean up spilled engine coolant.