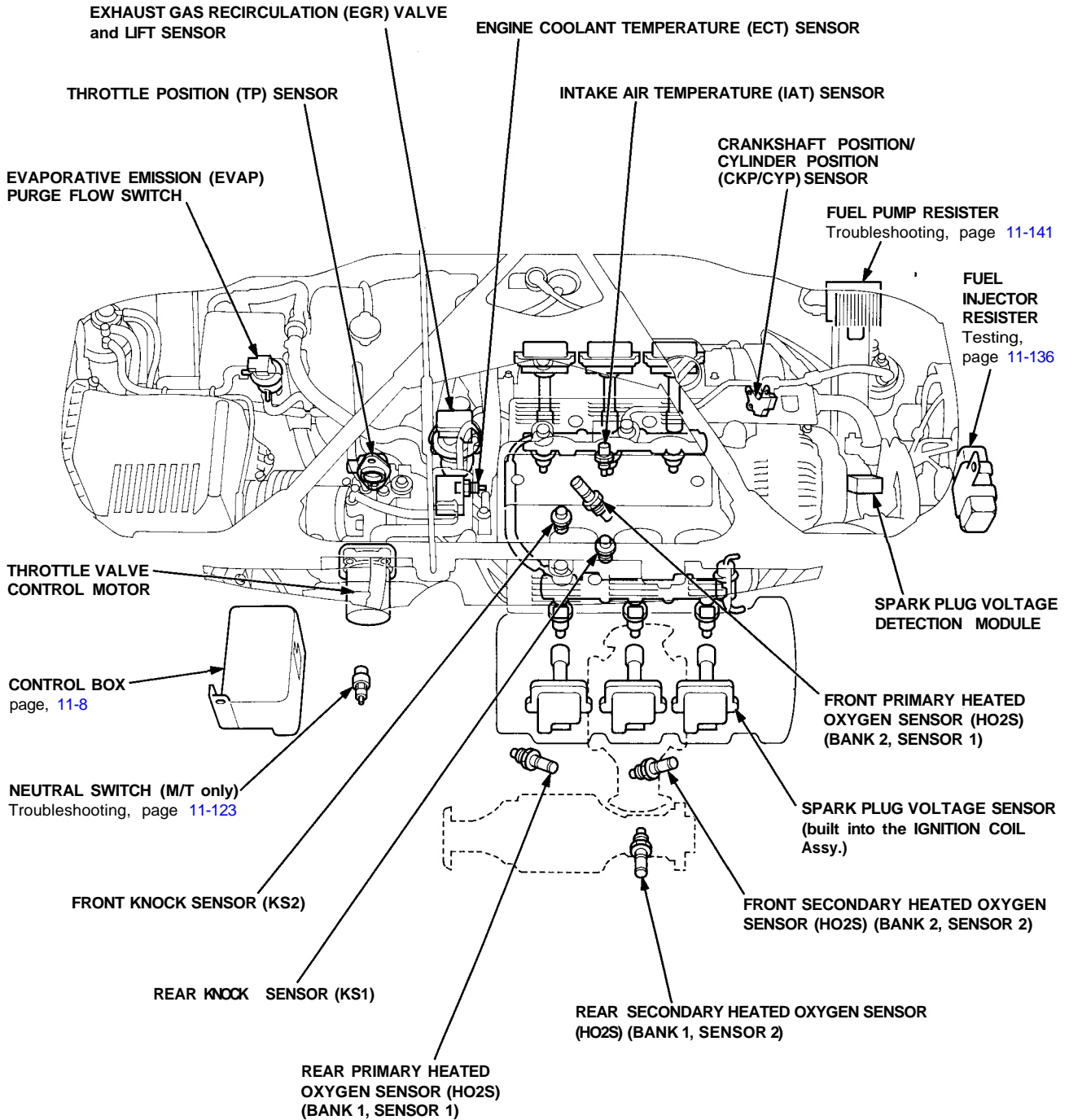


# Component Locations



## Index

For Troubleshooting of DTC related components. see chart on page 11-52.

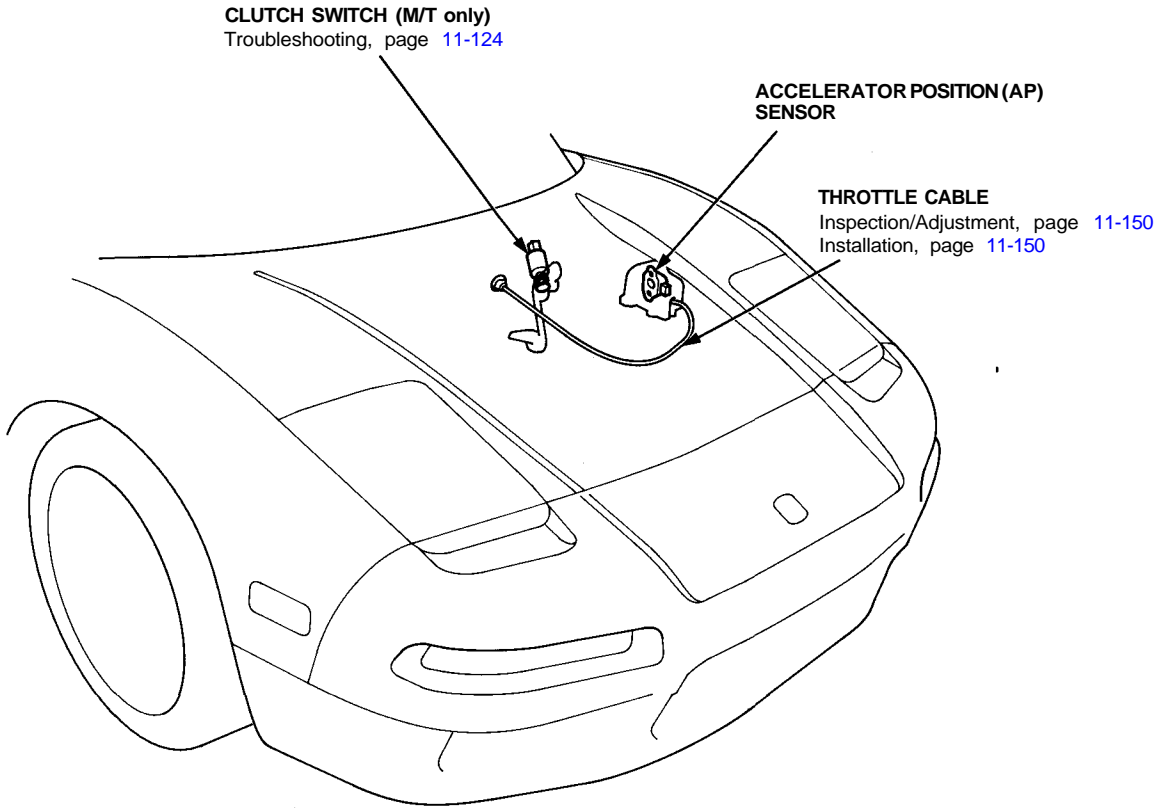


(cont'd)

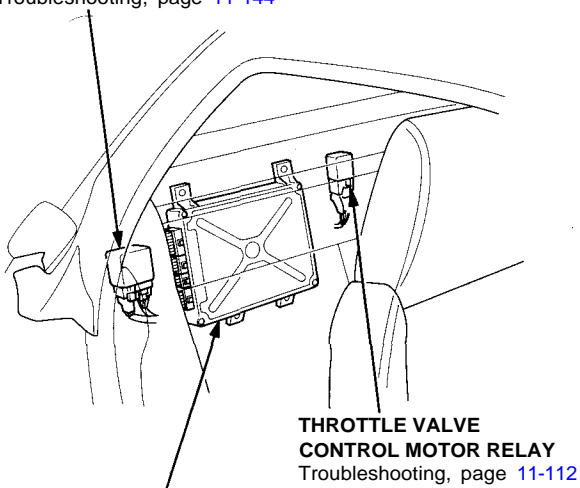
# Component Locations

## Index (cont'd)

For Troubleshooting of DTC related components, see chart on page 11-52.

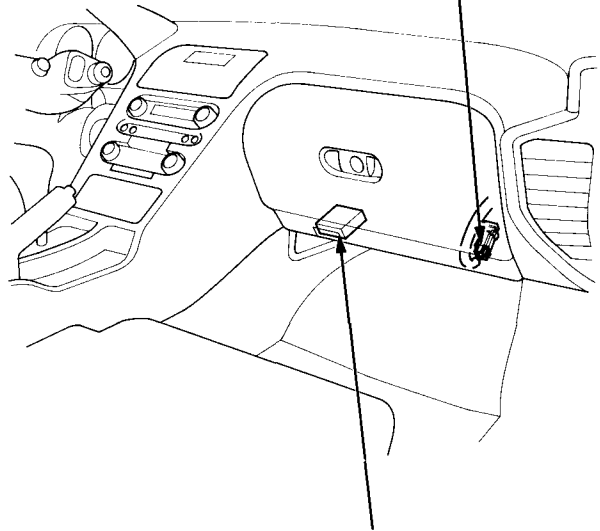


**PGM-FI  
MAIN RELAY**  
Relay Testing, page 11-143  
Troubleshooting, page 11-144



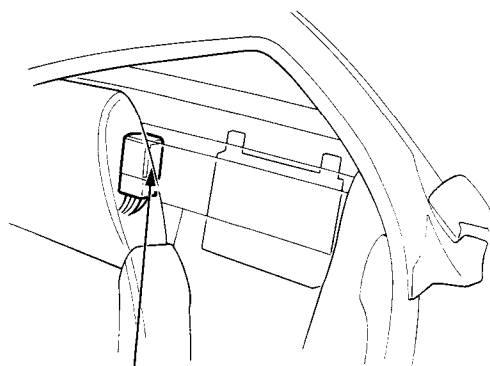
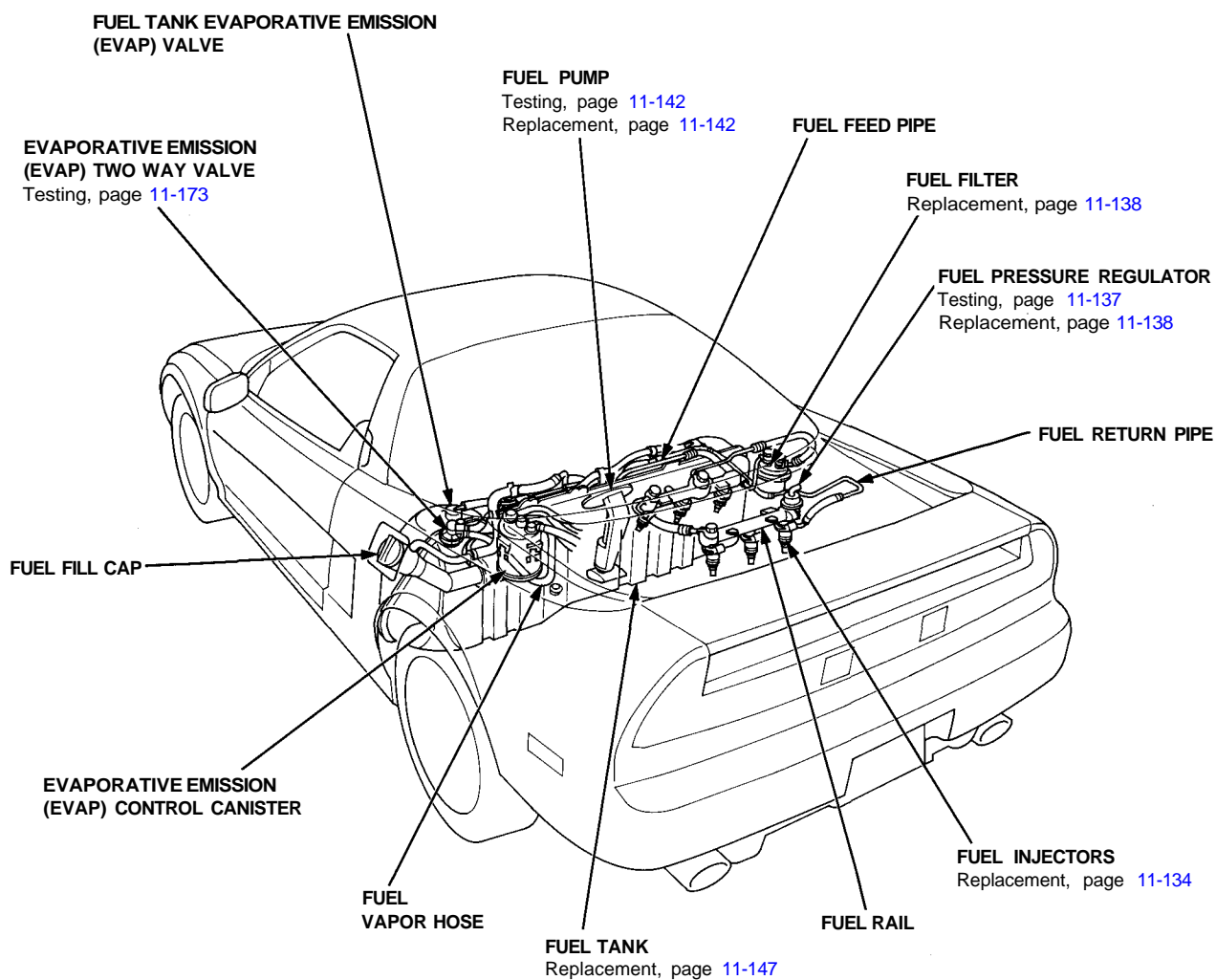
**ENGINE CONTROL MODULE (ECM)**  
Self-diagnostic Procedures, page 11-38  
Troubleshooting, page 11-61, and 11-62

**SERVICE CHECK CONNECTOR (2P)**  
Self-diagnostic Procedures, page 11-38





For Troubleshooting of DTC related components, see chart on page 11-52.



**FUEL PUMP RELAY**  
Troubleshooting, page 11-139

(cont'd)

# Component Locations

## Index (cont'd)

---

For Troubleshooting of DTC related components, see chart on page [11-52](#).

