

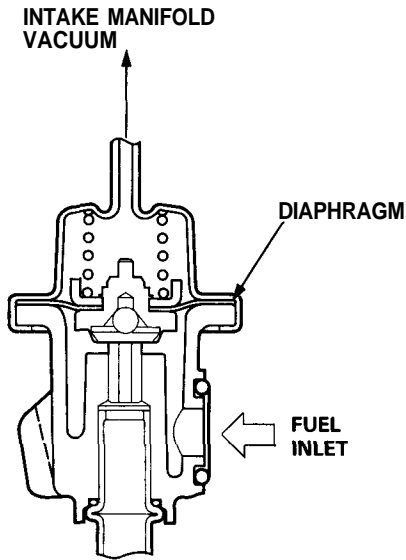


Fuel Pressure Regulator

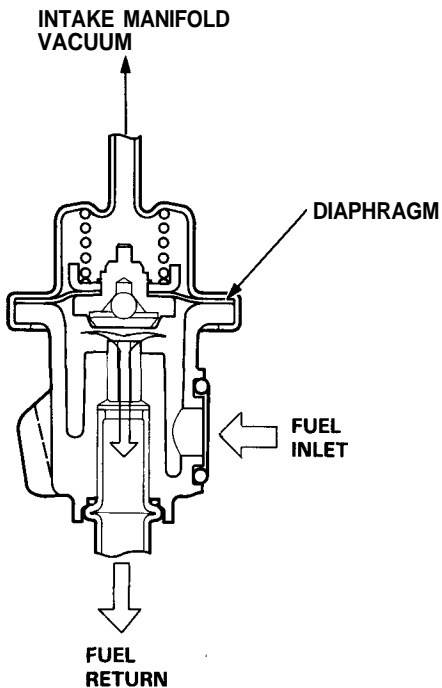
Description

The fuel pressure regulator maintains a constant fuel pressure to the fuel injectors. When the difference between the fuel pressure and manifold pressure exceeds 343 kPa (3,5 kgf/cm², 50 psi), the diaphragm is pushed upward, and the excess fuel is fed back into the fuel tank through the fuel return pipe.

CLOSED



OPEN



Testing

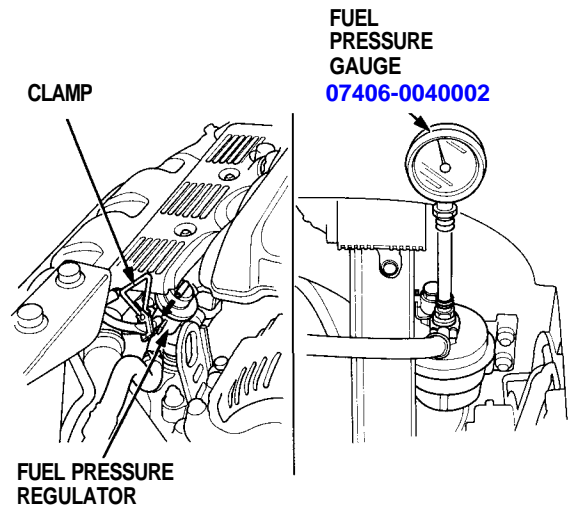
⚠ WARNING Do not smoke during the test. Keep open flames away from your work area.

1. Attach the special tool to the service port of the fuel filter (see page 11-133).

Pressure should be:

324 - 363 kpa (3.3-3.7 kgf/cm², 47-53 psi)

(with the fuel pressure regulator vacuum hose disconnected and pinched)



2. Reconnect the vacuum hose to the fuel pressure regulator.
3. Check that the fuel pressure rises when the vacuum hose from the fuel pressure regulator is disconnected again.

If the fuel pressure did not rise, replace the fuel pressure regulator.

(cont'd)

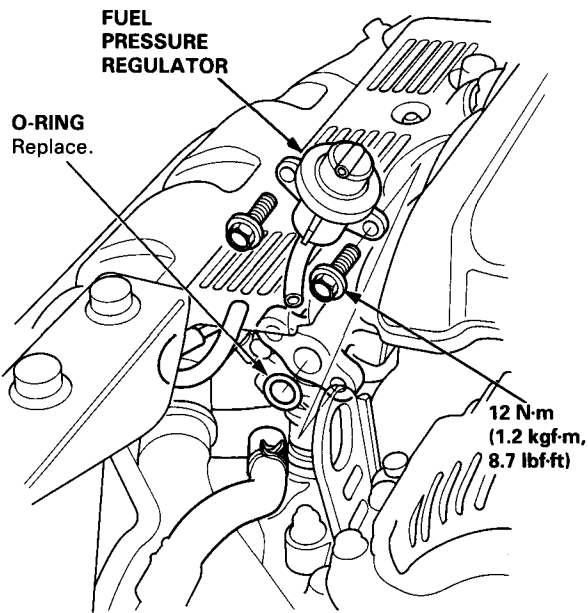
Fuel Supply System

Fuel Pressure Regulator (cont'd)

Replacement

⚠ WARNING Do not smoke while working on fuel system. Keep open flame away from your work area.

1. Place a shop towel under fuel pressure regulator, then relieve fuel pressure (see page 11-132).
2. Disconnect the vacuum hose and fuel return hose.
3. Remove the two 6 mm retainer bolts.



NOTE:

- Replace the O-ring.
- When assembling the fuel pressure regulator, apply clean engine oil to the O-ring and assemble it into its proper position, taking care not to damage the O-ring.