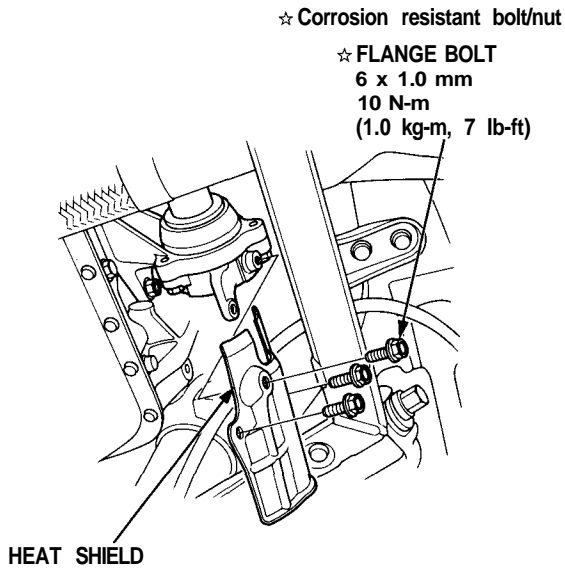


# Intermediate Shaft

## Replacement

1. Drain the oil from the transmission (see [section 13 M/T](#) or [section 14 A/T](#)).
2. Remove the right driveshaft assembly (see page [16-3](#)).
3. Remove the heat shield.

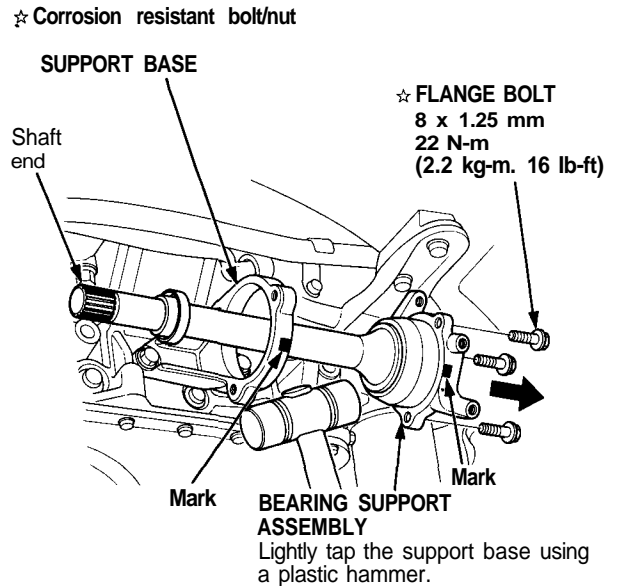


4. The bearing support assembly is a light press fit in the support base. To remove the bearing support assembly, remove the 8 x 1.25 mm flange bolts with the support base still attached to the engine block. Tap the flanged section of the bearing support with a plastic hammer toward the wheel side, then remove the bearing support assembly from the support base.

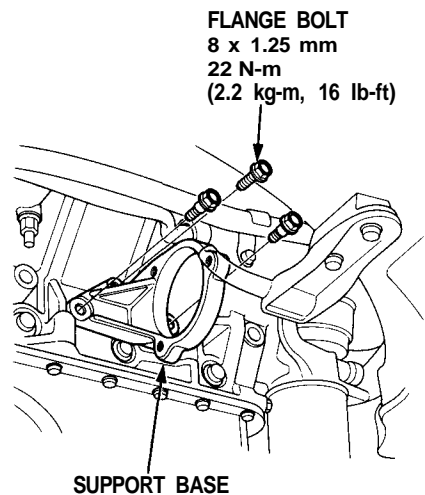
**CAUTION:** To prevent damage to the differential oil seal, hold the intermediate shaft horizontal until it is clear of the differential.

**NOTE:** Mark the support base and bearing support during disassembly to ensure proper positioning during reassembly.

**CAUTION:** The bearing support and support base are made of aluminum. Be careful not to damage them when servicing.



5. Remove the support base from the engine block.



6. Install in the reverse order of removal. Align the marks, and install by tapping on the bearing support assembly shaft end.