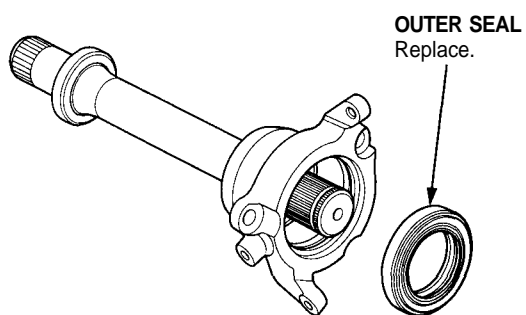




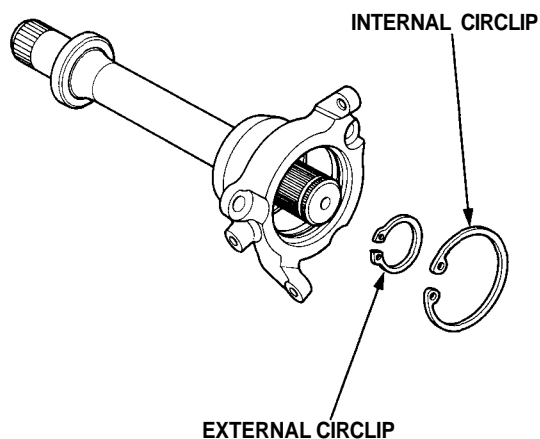
Disassembly

CAUTION: The bearing support and support base are made of aluminum. Be careful not to damage them when servicing.

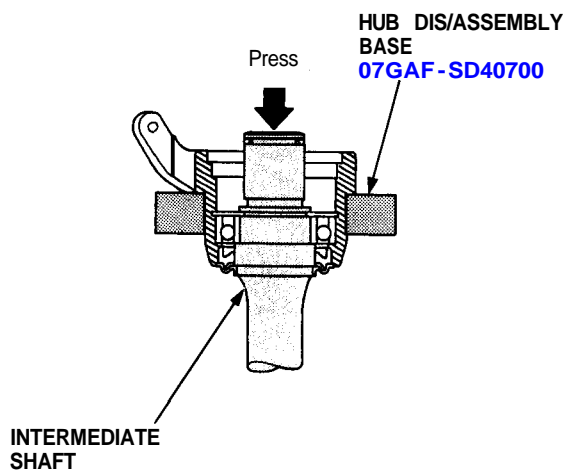
1. Remove the intermediate shaft outer seal from the bearing support.



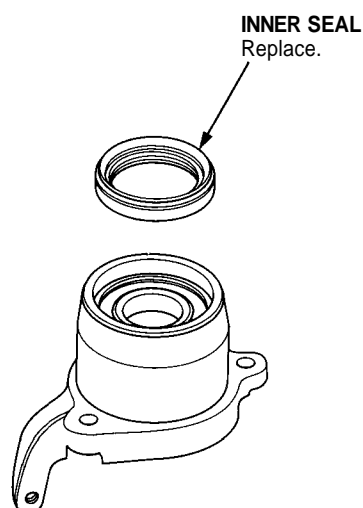
2. Remove the external circlip and internal circlip.



3. Press the intermediate shaft out of the shaft bearing using the special tool.



4. Remove the intermediate shaft inner seal from the bearing support.



(cont'd)

Intermediate Shaft

Disassembly (cont'd)

5. Press the intermediate shaft bearing out of the bearing support using the special tools.

