

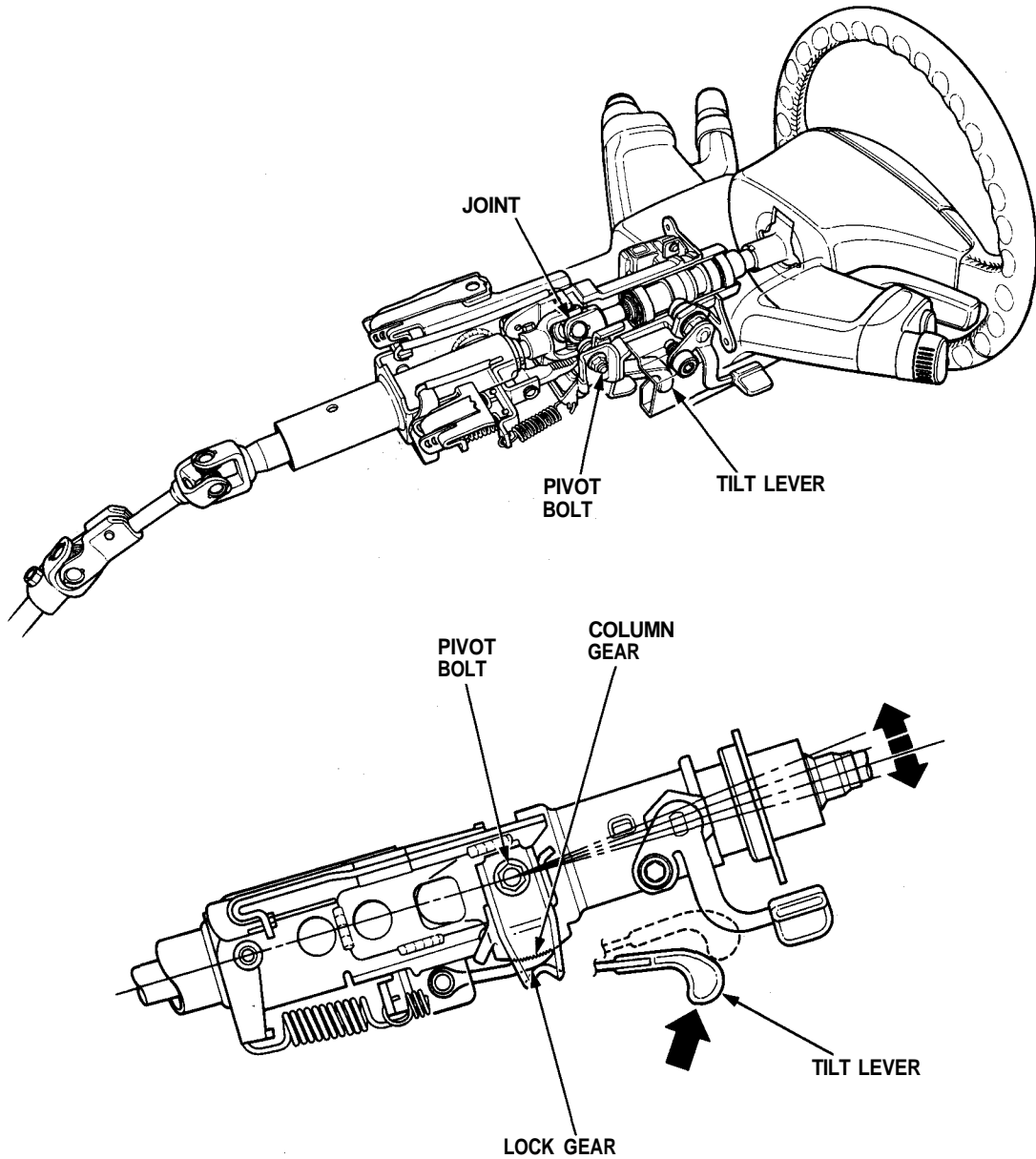
System Description

Steering Column

The NSX/NSX-T has a tilt/telescopic steering column. The tilt/telescopic mechanism makes it possible to adjust the steering wheel in fore and aft, and up and down directions.

Tilt Mechanism

In the upper portion of the steering column is a joint on the steering shaft. This joint allows the steering wheel to be adjusted up or down. When the tilt lever is operated, the lock gears are detached from the column gear to release the lock. The column moves upward or downward on two pivot bolts. When the tilt lever is returned to a fixed position after selecting the steering wheel height, the lock gear is engaged with the column gear to secure the column.





Telescopic Mechanism

The upper steering shaft is divided into two shafts, connected by splines, making it possible for the shaft to telescope while transmitting the rotation of the steering wheel. When the telescopic lever is lowered, the lever pivot turns in a direction to loosen the stopper shim at the tip of the lever pivot, allowing the shaft to telescope. The telescopic stroke is limited by the slot and stopper on the movable shaft. After selecting a steering wheel position and locking the telescopic lever, the stop shim presses, against the movable shaft, holding it in position.

