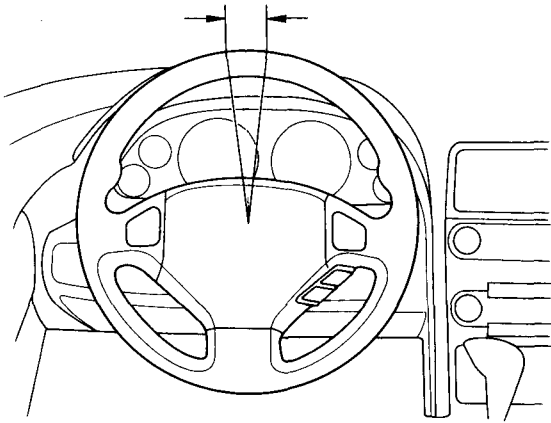


# Inspection

## Steering Wheel Rotational Play

1. Place the front wheels in a straight ahead position, and measure the distance the steering wheel can be turned without moving the front wheels.
2. If the play exceeds the service limit, check all steering components.

**Service Limit: 5 mm (0.2 in) maximum**

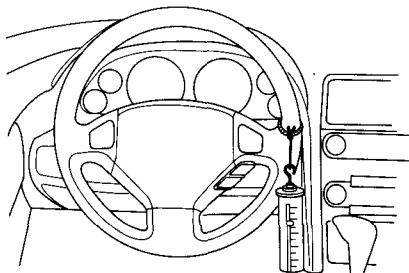


## Power Assist Check With Car Parked

Turn the steering wheel with a spring scale. Read the measurement when the front wheels or steering wheel start to move.

### Operation Standard

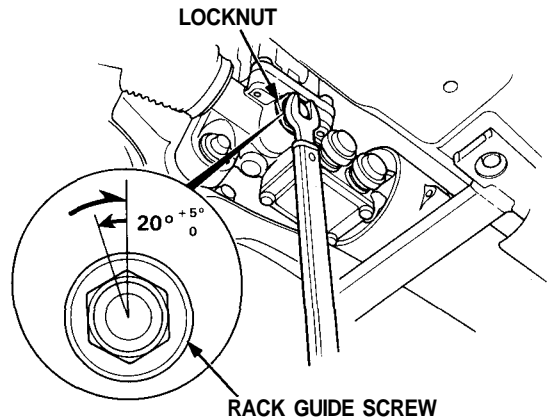
Condition	Stationary Swing operation load
Without power assist (engine off)	120 N (12 kg, 26 lbs) maximum
With power assist (engine running)	42 N (4.2 kg, 9.3 lbs) maximum



## Steering Gearbox Adjustment

**⚠ WARNING** Serious burns may result if you touch any cooling components when the cooling system is hot.

1. Loosen the rack guide screw locknut.
2. Tighten, loosen and retighten the rack guide screw two times to 4 N-m (0.4 kg-m, 2.9 lb-ft), then back it off 20° ± 1°.



3. Tighten the locknut on the rack guide screw with the special tool.
4. Check for tight or loose steering through the complete turning travel.
5. Recheck steering assist.

