



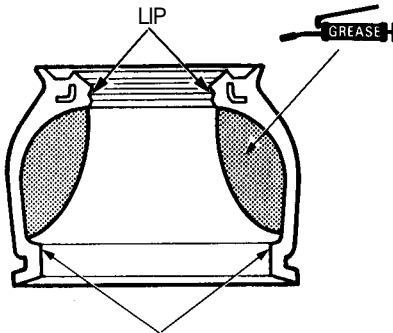
Ball Joint Boot

Replacement

1. Remove the set ring and the boot.

CAUTION: Do not contaminate the boot installation section with grease.

2. Pack the interior of the boot and lip with grease.

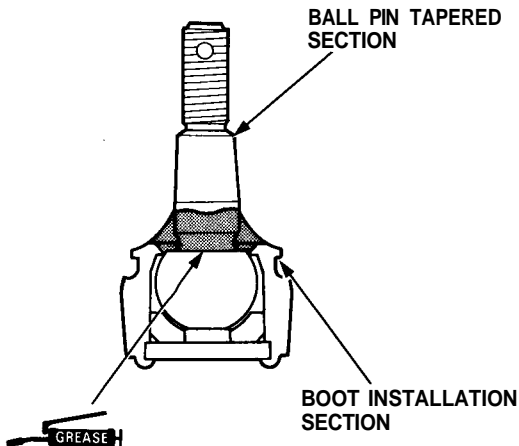


BOOT INSTALLATION SECTION

3. Wipe the grease off the sliding surface of the ball pin, then pack the lower area with fresh grease.

CAUTION:

- Keep grease off the boot installation section and the tapered section of the ball pin.
- Do not allow dust, dirt, or other foreign materials to enter the boot.

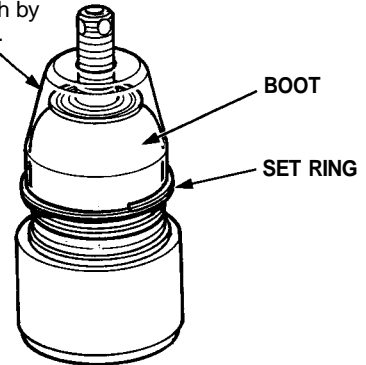


4. Install the boot in the groove of the boot installation section securely, then bleed air.

5. Insert the special tool into the threads in the ball pin, and align the end of the tool with the groove in the boot. Slide the set ring over the tool and into position.

BALL JOINT BOOT CLIP GUIDE
07MAG - SL00100

Adjust the depth by turning the tool.



CAUTION: After installing the boot, check the ball pin tapered section for grease. Wipe it if necessary.