



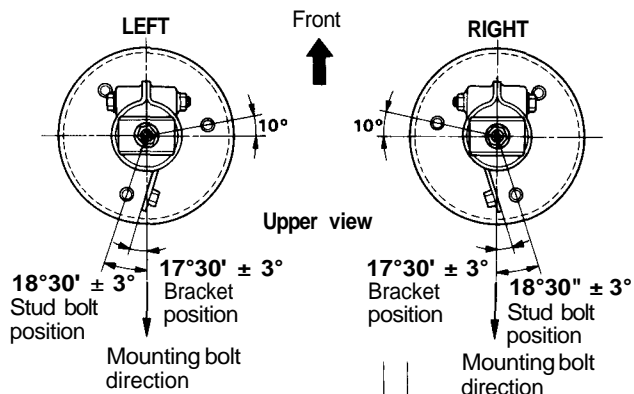
Reassembly

1. Install the damper unit on a spring compressor.
2. Assemble the damper in reverse order of removal except the damper mounting washer and self-locking nut.

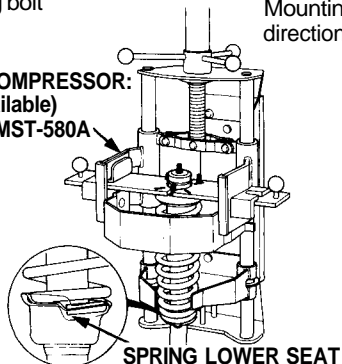
NOTE: Align the bottom of damper spring and spring lower seat as shown.

3. Position the damper mounting base on the damper unit as shown.

NOTE: Follow the manufacturer's instructions.



STRUT SPRING COMPRESSOR:
(Commercially available)
BRANICK® T/N MST-580A
or equivalent



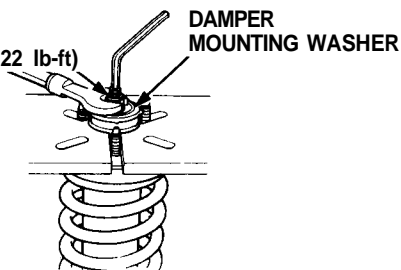
4. Compress the damper spring.

CAUTION: Do not compress the spring more than necessary to install the nut.

5. Install the damper mount washer and a new self-locking nut.
6. Hold the damper shaft, then tighten the self-locking nut.

SELF-LOCKING NUT
10 x 1.25 mm
Replace.

30 N-m (3.0 kg-m, 22 lb-ft)

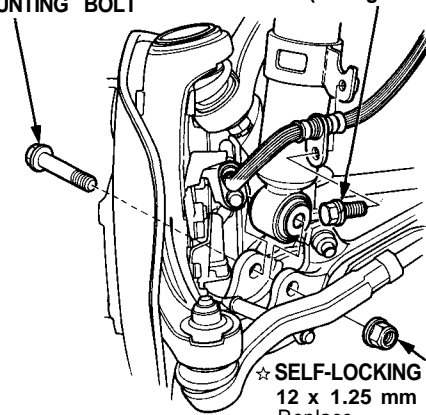


Installation

1. Reposition the damper on the frame with the welded nut of the hose bracket facing outside as shown.

☆ **DAMPER MOUNTING BOLT**

☆ **BRAKE HOSE MOUNTING BOLT**
22 N-m (2.2 kg-m, 16 lb-ft)



☆ **SELF-LOCKING NUT**
12 x 1.25 mm
Replace.

95 N-m (9.5 kg-m, 69 lb-ft)

☆: Corrosion resistant bolt/nut

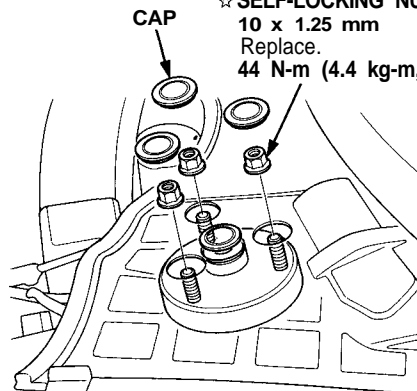
2. Install the damper end on the lower arm, then loosely tighten the mounting nut.

NOTE: The bolts and nuts should be tightened with the vehicle's weight on the damper.

3. Secure the damper mounting bolt using a new self-locking nut.
4. Secure the damper assembly to the frame with the new three self-locking nuts.
5. Install the caps in the top of the cowl.

☆ **SELF-LOCKING NUT**
10 x 1.25 mm
Replace.

44 N-m (4.4 kg-m, 32 lb-ft)



☆: Corrosion resistant bolt/nut

6. Install the brake hose mounting bolt.