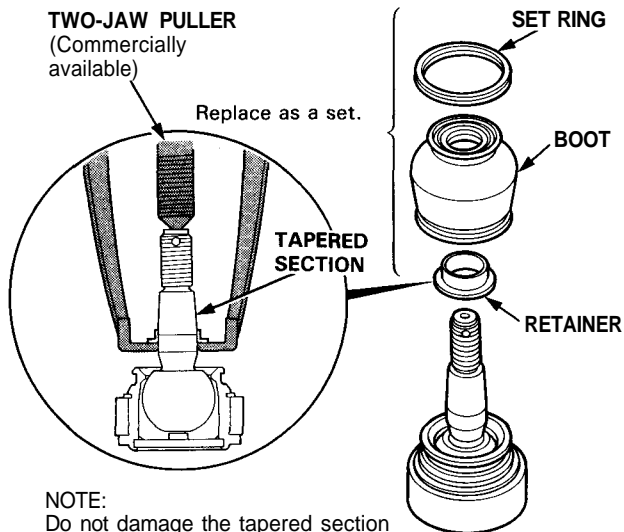




Ball Joint Boot Replacement

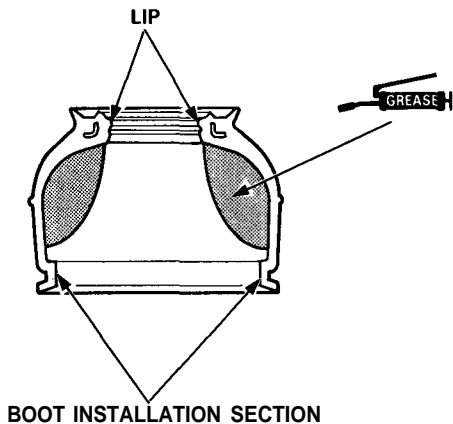
NOTE: The upper control arm ball joint is attached with the boot retainer to improve the sealing efficiency of the boot.

1. Remove the set ring and boot.
2. Remove the retainer (upper ball joint only).



NOTE: Do not damage the tapered section of the ball pin with the bearing puller.

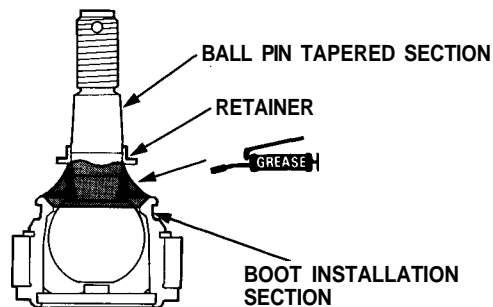
3. Pack the interior of the boot and lip with grease.



CAUTION: Do not contaminate the boot installation section with grease.

4. Wipe the grease off the sliding surface of the ball pin, and pack with fresh grease (upper ball joint only).
5. Insert the new retainer lightly into the ball joint pin.

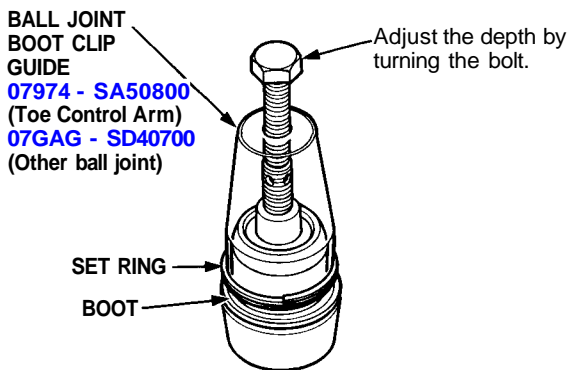
NOTE: When installing the ball joint, press fit the retainer into the ball joint pin.



CAUTION:

- Keep grease off the boot installation section and the tapered section of the ball pin.
- Do not allow dust, dirt, or other foreign materials to enter the boot.

6. Install the boot in the groove of the boot installation section securely, then bleed air.
7. Adjust the special tool with the adjusting bolt until the end of the tool aligns with the groove on the boot.
8. Slide the set ring over the tool and into position.



- Upper control arm ball joint
- Knuckle lower ball joint
- Toe control arm ball joint

CAUTION: After installing the boot, check the ball pin tapered section and threads for grease contamination and wipe them if necessary.