

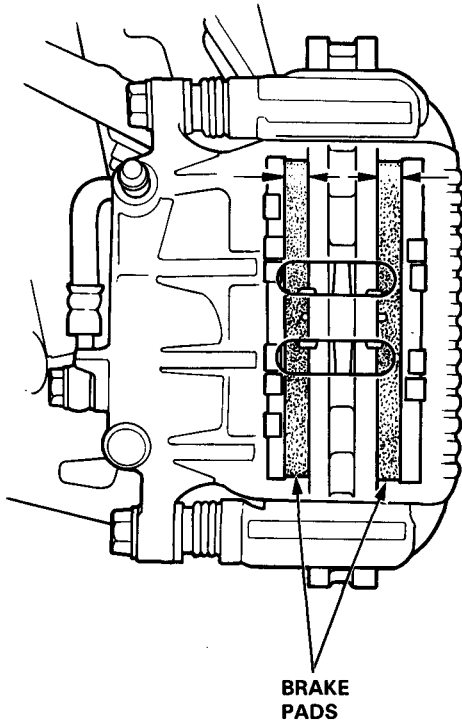
Front Brake Pads

Inspection/Replacement

⚠ WARNING

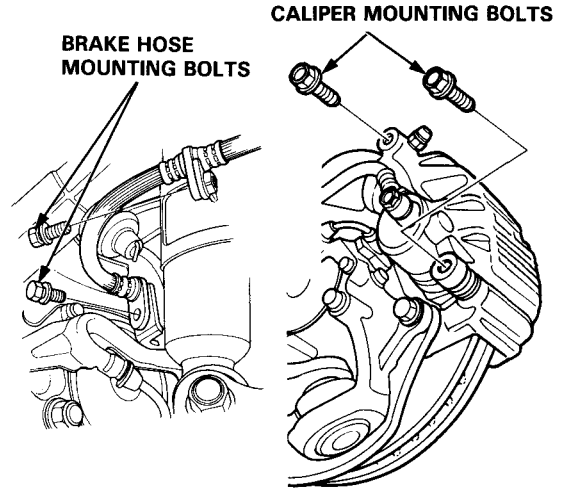
- Never use an air hose or dry brush to clean brake assemblies.
- Use an OSHA-approved vacuum cleaner to avoid breathing brake dust.

1. Loosen the front wheel nuts slightly, then raise each side of the car and support it on safety stands (see page 1-9 through 1-11). Remove the front wheels.
2. If the brake pad thickness is less than service limit at step 5, replace the front pads as a set.



3. Remove the two brake hose mounting bolts. Remove the two caliper mounting bolts, and move the caliper out of the way.

CAUTION: Support the caliper with a piece of wire so that it does not hang from the brake hose.

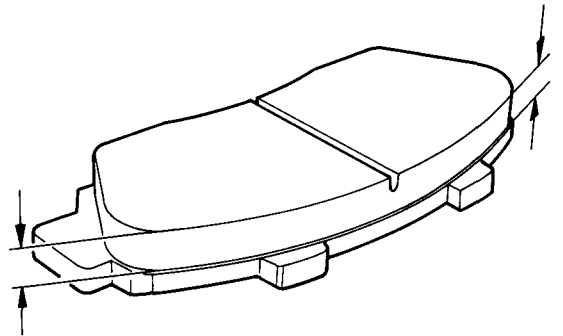


4. Remove the pad shims, pad retainers and brake pads.
5. Using vernier calipers, measure the thickness of each brake pad lining.

Brake Pad Thickness:

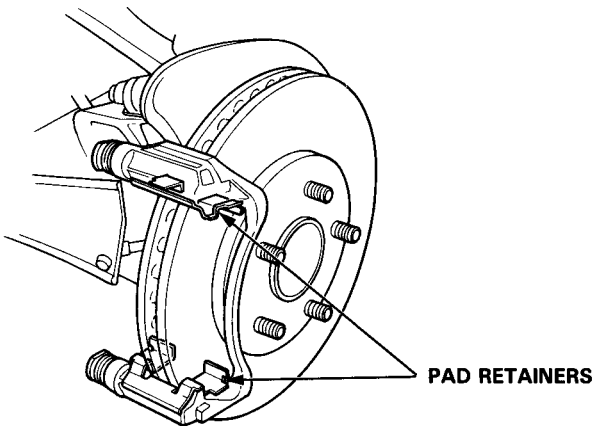
Standard: 11.0 mm (0.43 in) max.

Service Limit: 1.6 mm (0.06 in)



NOTE: Measurement does not include pad backing thickness.

6. Clean the caliper thoroughly; remove any rust, and check for grooves and cracks.
7. Install the pad retainers.



8. Apply Molykote® M77 to both sides of inner shim A and the back of the pads. Wipe excess grease off the shims.
9. Install the brake pads.

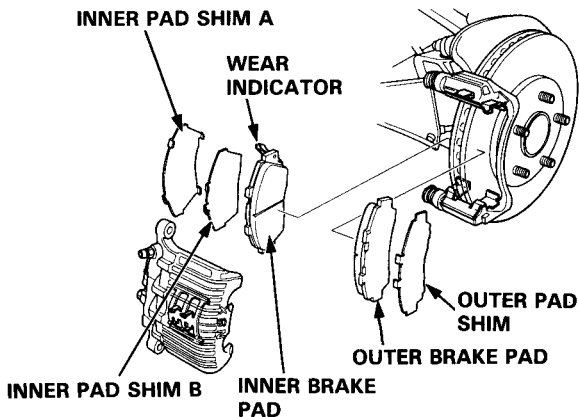
⚠ WARNING

- When reusing the pads, always reinstall the brake pads in their original positions to prevent loss of braking efficiency.
- Contaminated brake discs or pads reduce stopping ability. Keep grease off the brake discs or pads.

NOTE:

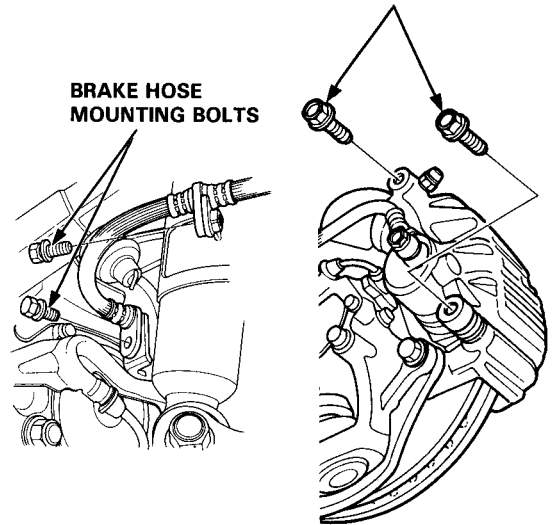
- Install the inner pad with its wear indicator facing upward.
- Apply Molykote® M77 to the shims (see page 19-5). Wipe excess grease off the shims.

10. Install the brake pad shims correctly.



11. Push in the pistons so that the caliper will fit over the brake pads.
12. Set the caliper down into position, then install the brake hose mounting bolts and the caliper mounting bolts. Tighten the bolts to the specified torque.

CALIPER MOUNTING BOLTS
10 x 1.0 mm
50 N·m (5.0 kg-m, 36 lb-ft)



13. Depress the brake pedal several times to make sure the brakes work, then test-drive the car.

NOTE: Engagement of the brake may require a greater pedal stroke immediately after the brake pads have been replaced as a set. Several applications of the brake pedal will restore the normal pedal stroke.

14. Install the front wheels and torque the wheel nuts.

NOTE: Clean the mating surface of the wheel and hub before installing the wheel.