

Seat Belts

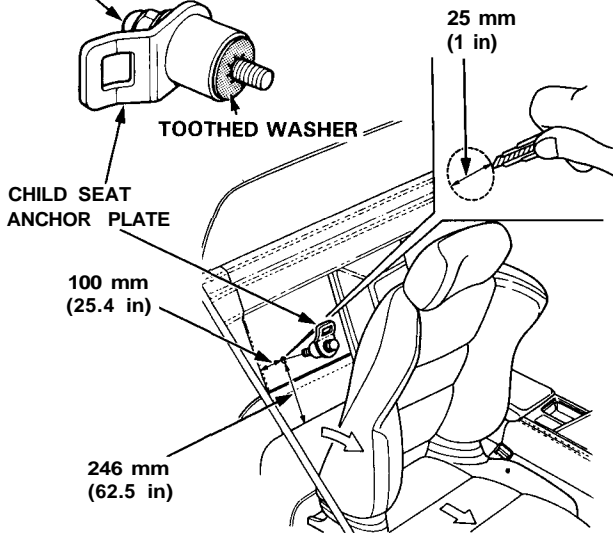
Child Seat Anchor Plate

An attachment point is provided for a child restraint system which uses a top tether. The tether bracket and bolt are available at your Acura dealer. The tether attachment point is located on the panel behind the passenger's seat-back.

1. Adjust the passenger seat fully forward to make room behind the seat-back.
2. Using the dimensions shown, measure and mark the location of the attachment point on the interior panel.
3. Use a razor blade or sharp knife to carefully cut a 1 inch diameter circle at the point you marked. Cut through one layer at a time. You will need to remove two layers to reach the tether attachment.
4. Install the tether bracket and bolt and tighten to: 16 lb-ft (22 N-m)

Make sure to route the tether through the space between the headrest and seat.

8 x 1.25 mm
22 N-m (2.2 kg-m, 16 lb-ft)



NOTE:

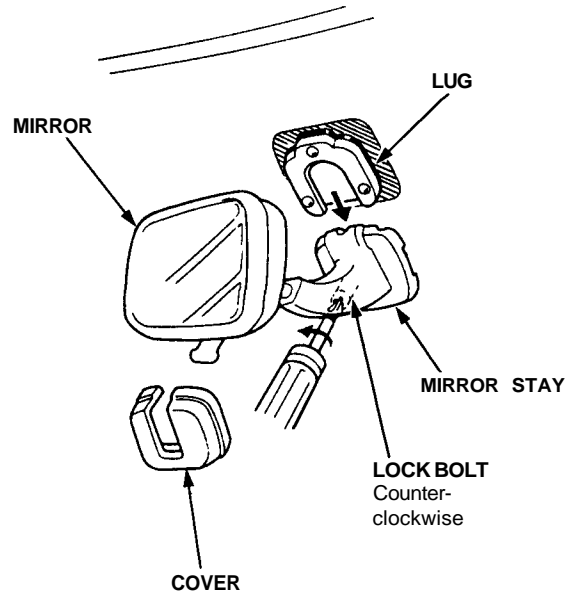
- Do not remove the toothed washer from the child seat anchor plate. Use the child seat anchor plate with the toothed washer attached to it.
- When installing a child seat, follow the instructions of the manufacturer of the child seat.
- Additional anchor plates are available.

⚠ WARNING Do not use the anchor plate for any other purpose; it is designed exclusively for installation of a child seat.

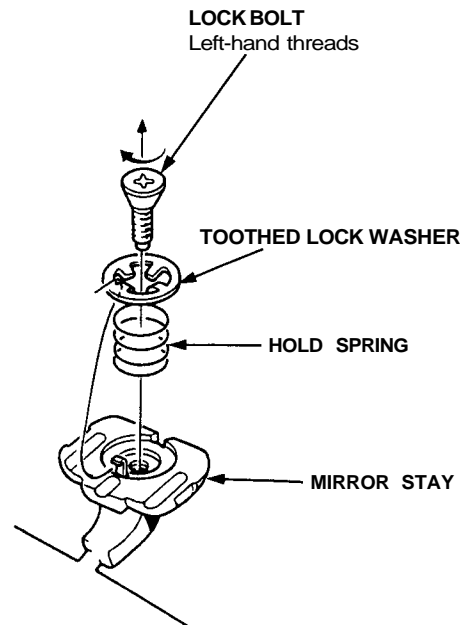
Rearview Mirror

Replacement

1. Carefully remove the cover with a flat tip screwdriver.
2. Loosen the lock bolt, then slide the mirror stay from the lug.



3. Remove the lock bolt, then remove the toothed lock washer and hold spring from the mirror stay.



4. Installation is the reverse of the removal procedure.