

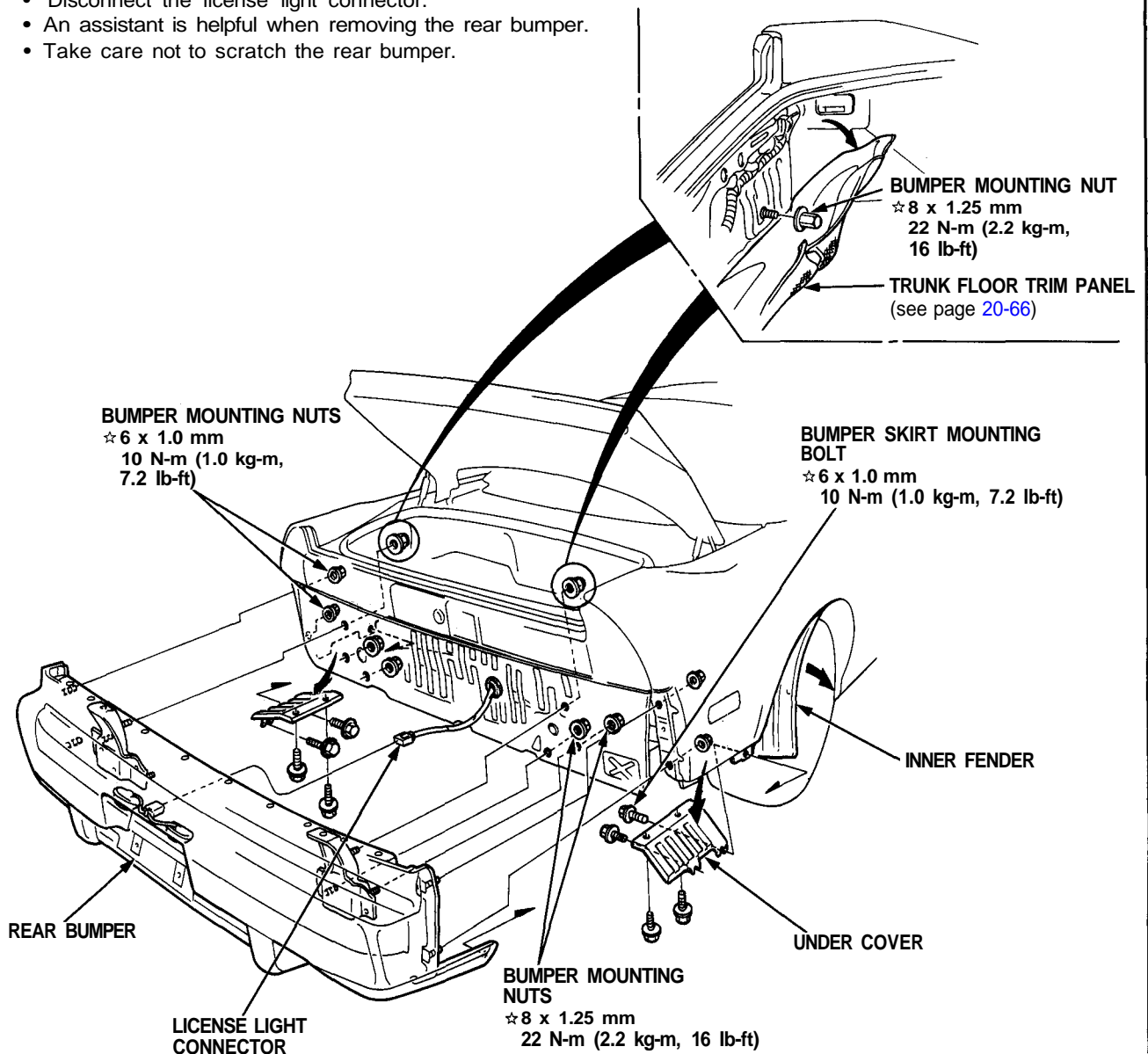
Rear Bumper

Replacement

1. Fold the trunk floor trim panel forward, and remove the bumper mounting nuts.
2. Remove the bumper mounting nuts on each side from under the trunk floor.
3. Lower the inner fender.
4. Remove the skirt mounting bolts and under covers from inside the rear fender on each side.
5. Remove the bumper mounting nuts on each side.
6. Remove the rear bumper by sliding it to the rear.

NOTE:

- Disconnect the license light connector.
- An assistant is helpful when removing the rear bumper.
- Take care not to scratch the rear bumper.



7. Installation is the reverse of the removal procedure.

☆: CORROSION RESISTANT BOLT/NUT