

Roof

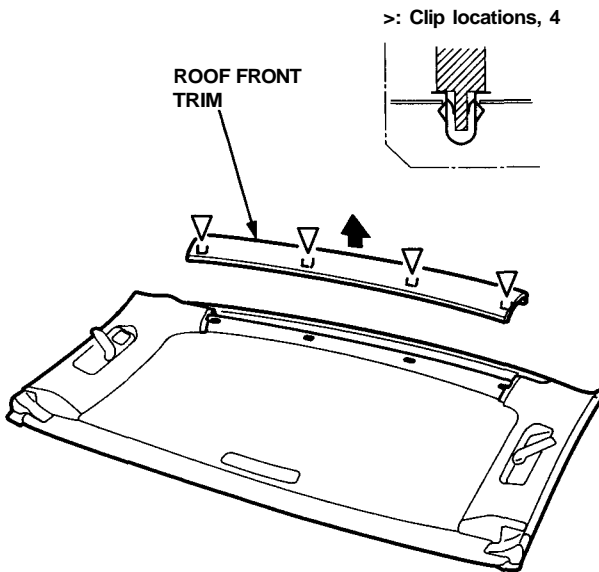
Roof Trim/Panel Replacement

CAUTION:

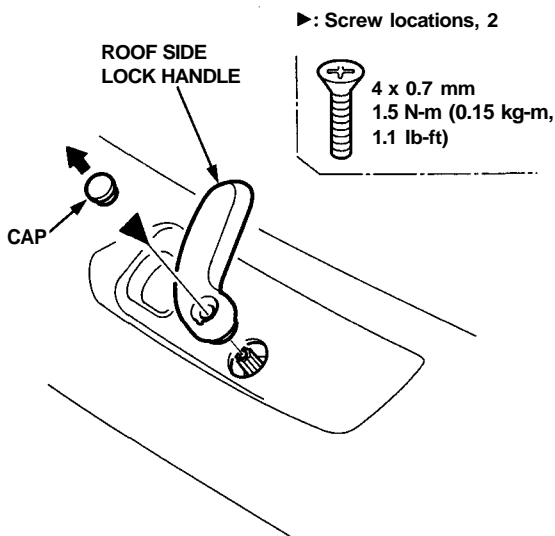
- To prevent damage, place the roof on an appropriate pad.
- When prying with a flat tip screwdriver, wrap it with protective tape to prevent damage.

NOTE: Take care not to scratch the trim, panel and roof.

1. Remove the roof.
2. Remove the roof front trim.



3. Remove the roof side lock handle from each side.

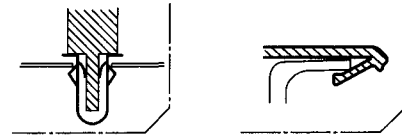


4. Remove the roof side trim from each side.

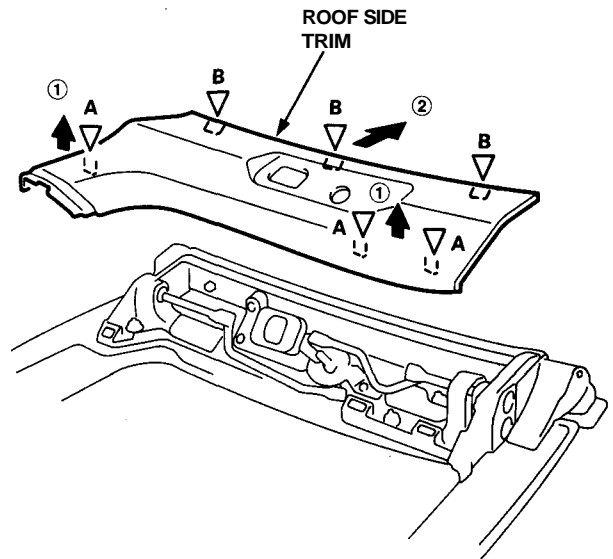
▷: Clip, hook locations

A▷: Clip, 6

B▷: Hook, 6

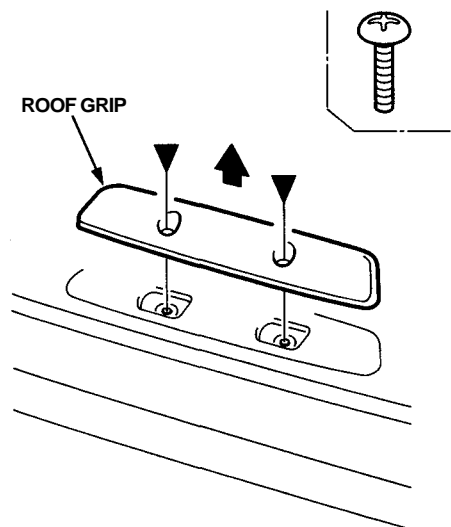


NOTE: Do not snap the hooks.



5. Remove the roof grip.

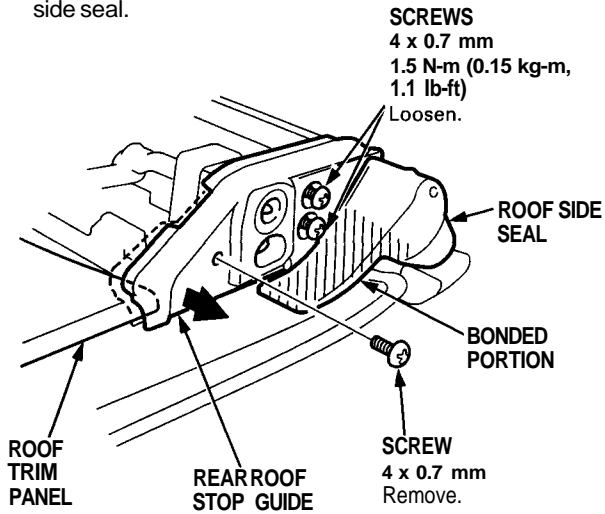
►: Screw locations, 2



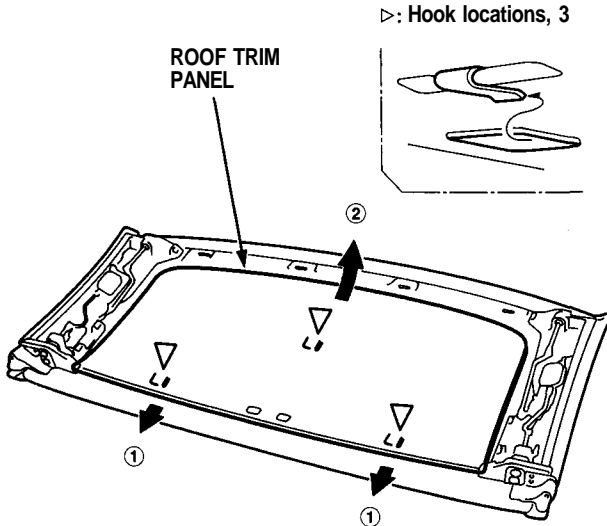


6. Move the rear roof stop guide on each side as shown.

NOTE: Do not disturb the bonded portion of the roof side seal.



7. Detach the hooks by sliding the roof trim panel back, then remove it.



8. Installation is the reverse of the removal procedure.

NOTE: If necessary, replace any damaged clips.