

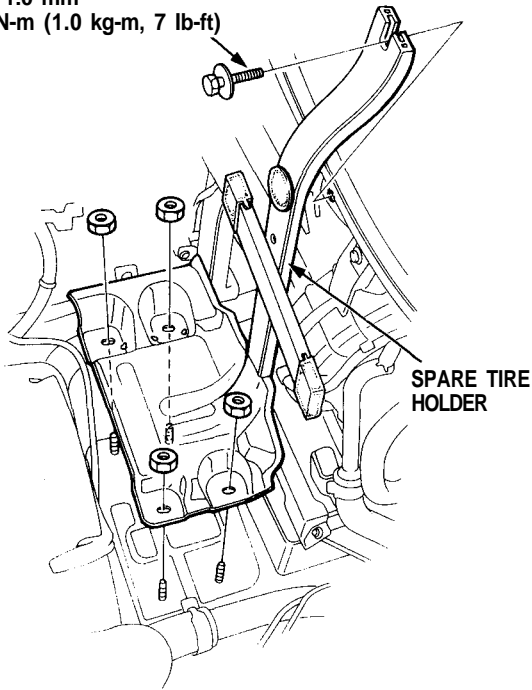
Blower Unit

Replacement

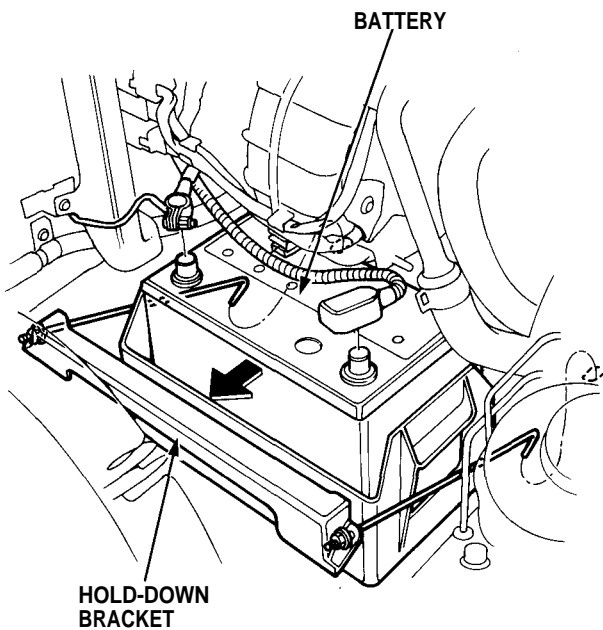


1. Remove the spare tire (refer to Owner's manual).
2. Remove the spare tire holder.
☆ CORROSION RESISTANT BOLT

☆ 6 x 1.0 mm
10 N-m (1.0 kg-m, 7 lb-ft)

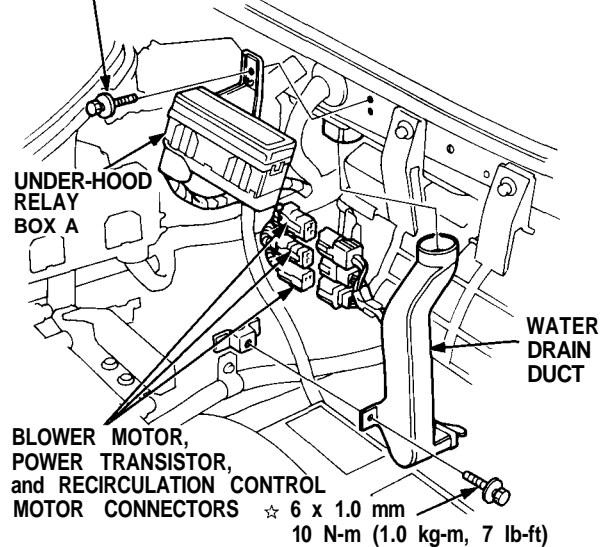


3. Disconnect the cables from the battery, loosen the hold-down bracket nuts, and remove the hold-down bracket. Then, remove the battery.

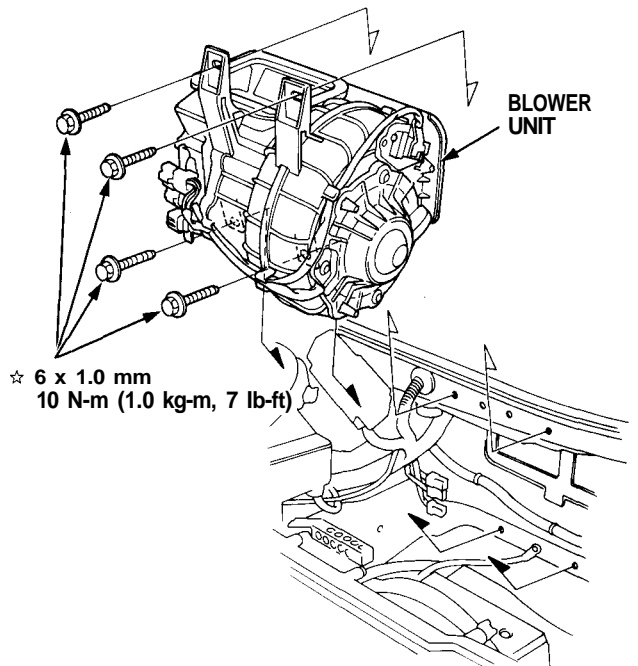


4. Remove the under-hood relay box A and the water drain duct. Disconnect the connectors from the blower motor, power transistor and recirculation control motor.
☆ CORROSION RESISTANT BOLT

☆ 6 x 1.0 mm
10 N-m (1.0 kg-m, 7 lb-ft)



5. Remove the mounting bolts, then remove the blower unit.
☆ CORROSION RESISTANT BOLT



6. Install the blower unit in the reverse order of removal, then make sure it runs and doesn't leak any air.