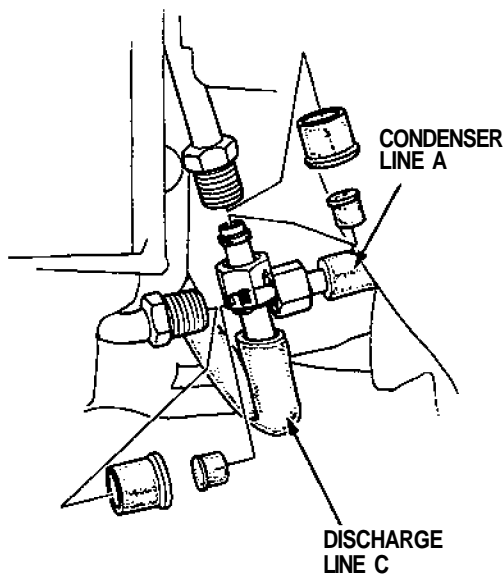




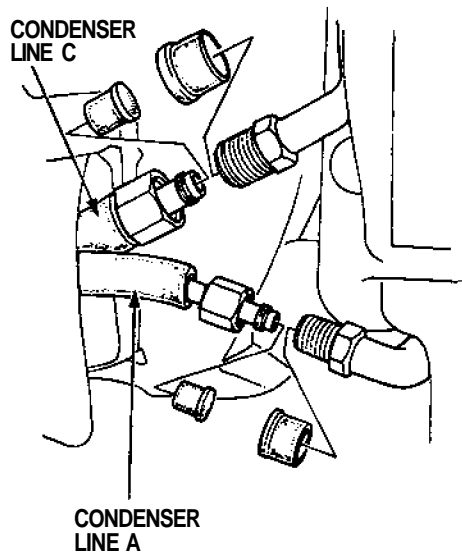
Replacement

1. Disconnect the negative cable from the battery.
2. Remove the front bumper (see [section 20](#)).
3. Recover the refrigerant using a R-134a refrigerant Recover/Recycling/Charging System (see page [22-73](#)).
4. Disconnect the discharge line C and the condenser lines from the condenser. Cap the open fittings immediately to keep moisture and dirt out of the system.

(Right Condenser)



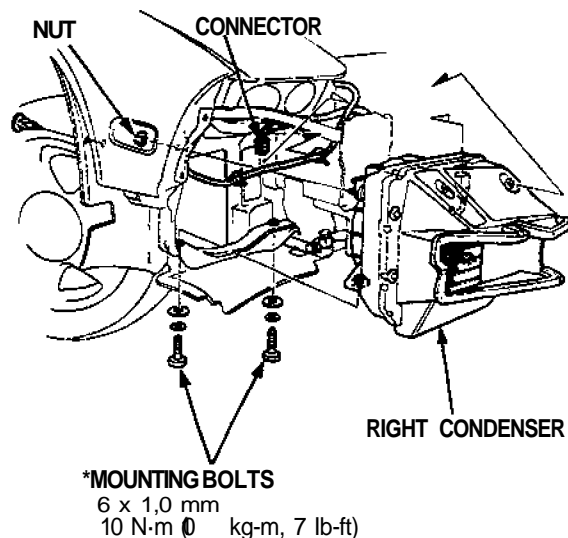
(Left Condenser)



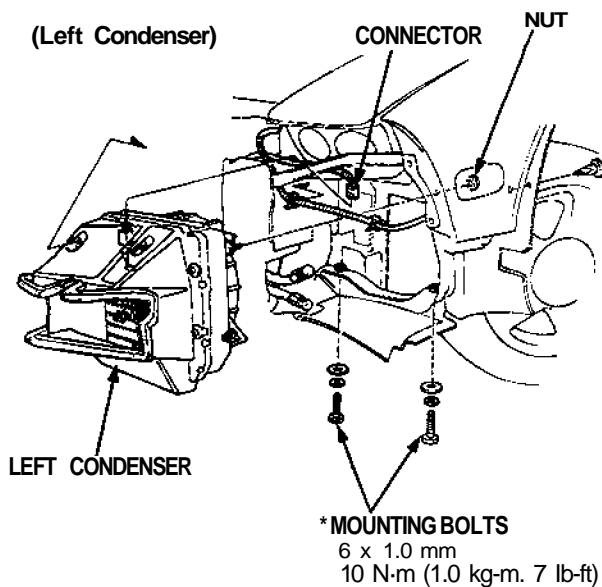
5. Disconnect the connector from the condenser fan, remove the two mounting bolts and nut, then remove the condenser.

*: CORROSION RESISTANT BOLT

(Right Condenser)



(Left Condenser)



6. Install the condenser in the reverse order of removal; and:
 - If you're installing a new condenser, add refrigerant oil (ND-OIL 8) (see page [22-69](#)).
 - Replace O-rings with new ones at each fitting, and apply refrigerant oil to them.
NOTE: Be sure to use the right O-rings for R-134a to avoid leakage.
 - Charge the system (see page [22-91](#)) and test its performance (see page [22-70](#)).