

Belt Adjustment

Deflection Method

1. Apply a force of 100 N (10 kg, 22 lb) and measure the deflection between the A/C compressor and the crankshaft pulley.

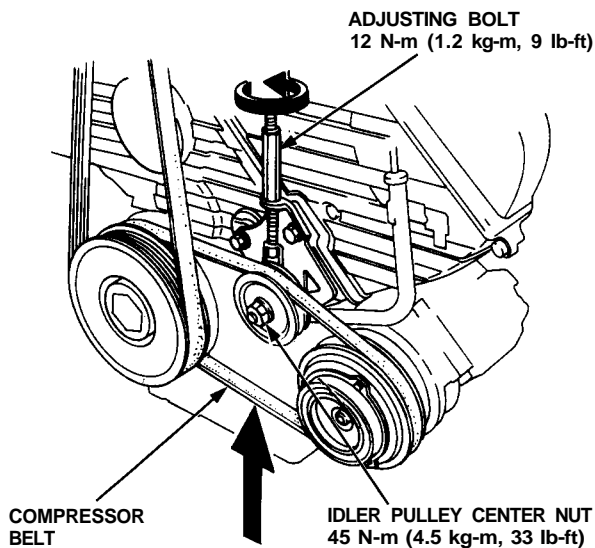
A/C Compressor Belt

Used Belt: 10-12 mm (0.39-0.47 in)

New Belt: 5.5-7.5 mm (0.22-0.30 in)

NOTE:

- If there are cracks or any damage evident on the belt, replace it with a new one.
 - "Used belt" means a belt which has been used for five minutes or more.
 - "New belt" means a belt which has been used for less than five minutes.
2. Loosen the adjusting pulley nut and the adjusting bolt.
 3. Turn the adjusting bolt to get proper belt tension, then retighten the adjusting pulley nut.
 4. Recheck the deflection of the A/C compressor belt.



Tension Gauge Method

1. Attach the belt tension gauge to the A/C compressor belt as shown below, and measure the tension of the belt.

A/C Compressor Belt

Used Belt: 350-550 N (35-55 kg, 77-121 lb)

New Belt: 700-900 N (70-90 kg,
154-198 lb)

NOTE:

- If there are cracks or any damage evident on the belt, replace it with a new one.
 - Follow the manufacturer's instructions for the belt tension gauge.
 - "Used belt" means a belt which has been used for five minutes or more.
 - "New belt" means a belt which has been used for less than five minutes.
2. Loosen the adjusting pulley nut and the adjusting bolt.
 3. Turn the adjusting bolt to get proper belt tension, then retighten the adjusting pulley nut.
 4. Recheck the tension of the A/C compressor belt.

