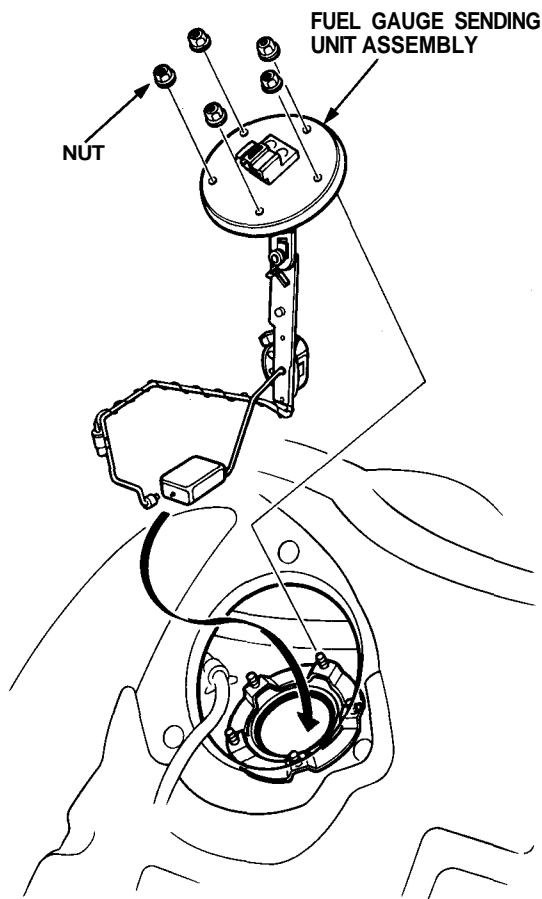




## Sending Unit Test

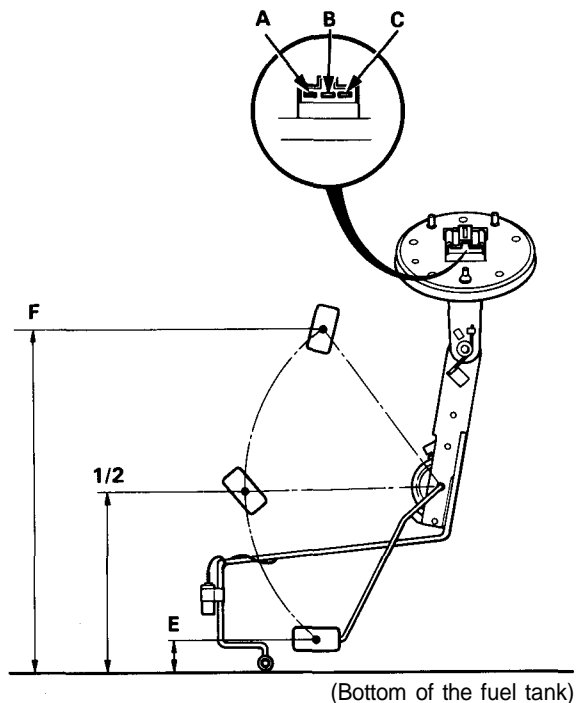
**⚠ WARNING** Do not smoke while working on the fuel system. Keep open flame away from work area.

1. Remove the rear bulkhead panel behind the driver's seat, then remove the access panel.
2. With the ignition switch OFF, disconnect the 3-P connector from the fuel gauge sending unit.
3. Remove the five nuts, then take the fuel gauge sending unit assembly out of the fuel tank.



4. Measure the resistance between the A and B terminals by moving the float to the heights listed for E (EMPTY), 1/2 (HALF FULL) and F (FULL).

Float Position	E	1/2	F
Resistance ( $\Omega$ )	105–110	25.5–39.5	2–5



Distance from float to tank bottom		
E	1/2	F
1.16 in (29.5 mm)	5.55 in (141 mm)	10.4 in (263 mm)

5. If unable to obtain the above readings, replace the fuel gauge sending unit.