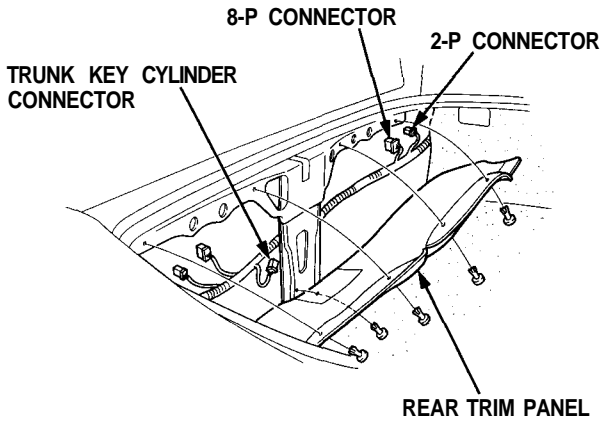


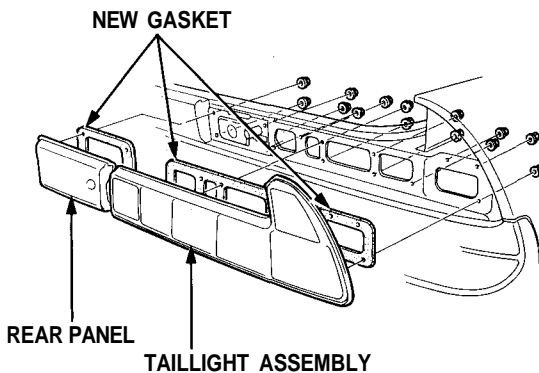
Taillights

Replacement

1. Open the trunk lid, and remove the rear trim panel.
2. Disconnect the 8-P connector and 2-P connector from the taillight assembly.
3. Disconnect the 2-P connector from the trunk key cylinder switch.



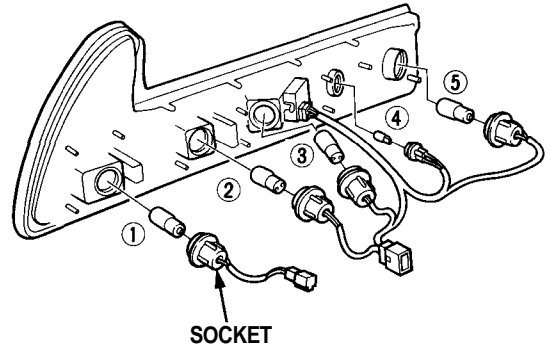
4. Remove the four mounting nuts and rear panel, then remove the ten mounting nuts and the taillight assembly.



5. Inspect the gasket; if it is distorted or stays compressed, replace it.
6. After installing, run water over the lights to make sure they don't leak.

Bulb Replacement

1. Open the trunk lid, and remove the rear trim panel.
2. Turn each socket 45° counterclockwise to remove them from the taillight housing.



- ①: TURN SIGNAL LIGHT BULB (45CP)
- ② and ③: BRAKE LIGHT/TAILLIGHT BULBS (32CP/2CP)
- ④: TAILLIGHT BULB (2CP)
- ⑤: BACK-UP LIGHT BULB (32CP)

3. Remove the bulbs from the sockets.