

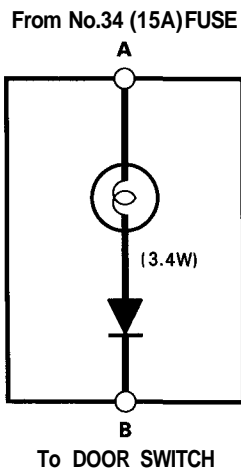
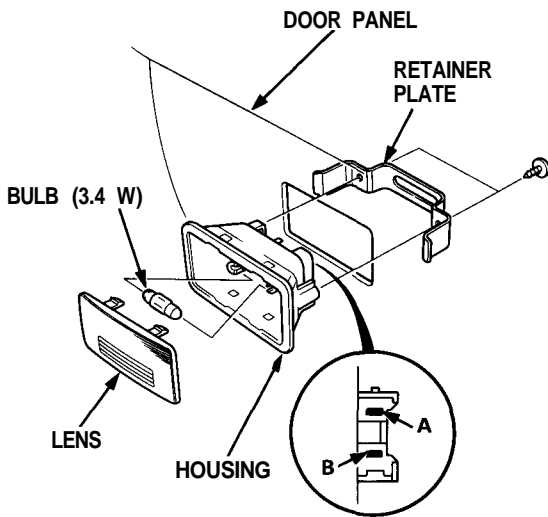
Ceiling/Courtesy/Trunk Lights

Courtesy Light Test/Replacement

NOTE: The bulb or lens alone can be replaced without having to remove the door panel.

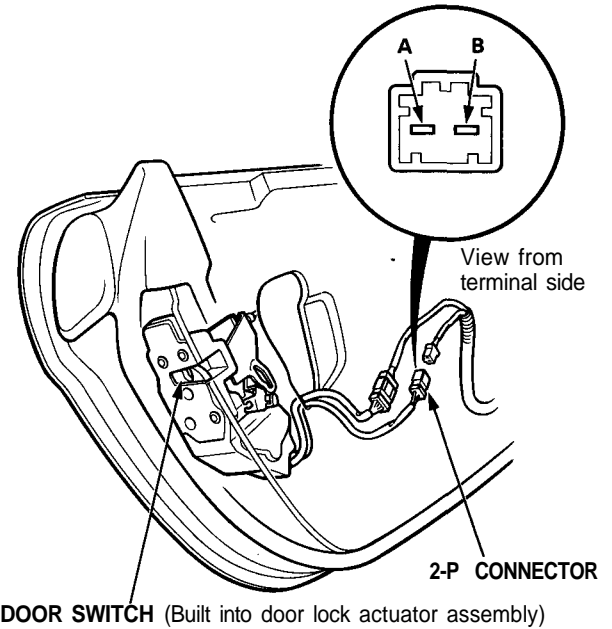
1. Remove the door panel (see [section 20](#)).
2. Remove the two screws and the retainer plate, then remove the light from behind the door panel.
3. Make sure that the bulb is OK, then check for continuity between the A and B terminals. There should be continuity.

NOTE: This light has a built-in diode. To get an accurate reading, either test it with a volt-ohmmeter that compensates for diodes, or make sure you connect your test leads to match the polarity shown.



Door Switch Test

1. Remove the door panel (see [section 20](#)).
2. Disconnect the 2-P connector from the door switch.



3. Check for continuity at the connector terminals.
 - There should be continuity with the switch released (door open).
 - There should be no continuity with the switch pushed (door closed).

