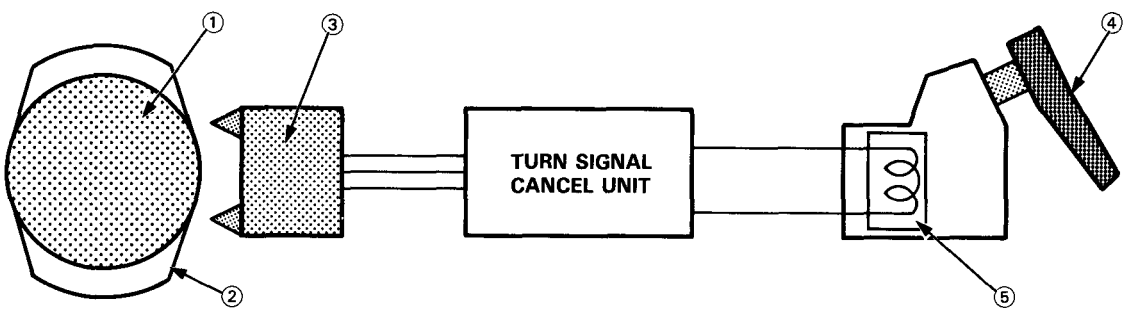
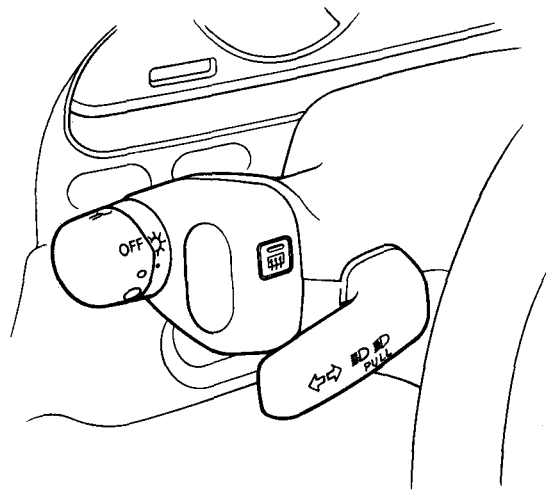


# Side Marker/Turn Signal/Hazard Flasher System

## Description

To cope with dimensional requirements for the airbag components and to offer better operational feel, the turn signal lever and the cancel mechanism are separated mechanically, and connected electrically instead.

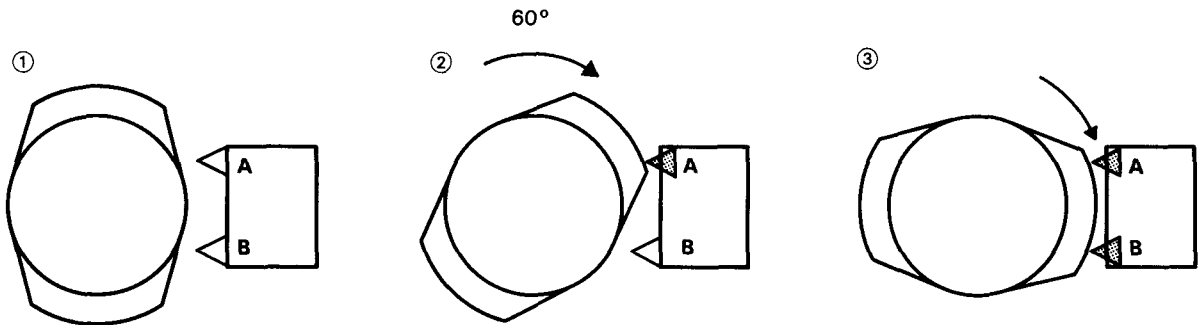
The system cancels the turn signals electrically, by means of a solenoid, after a turn is made. A sensor mechanism which consists of cancel cams on the steering shaft, and a pair of switches, is used to monitor the steering shaft's position.



- ① STEERING SHAFT
- ② CANCEL CAM
- ③ CANCEL SWITCH
- ④ TURN SIGNAL LEVER
- ⑤ SOLENOID

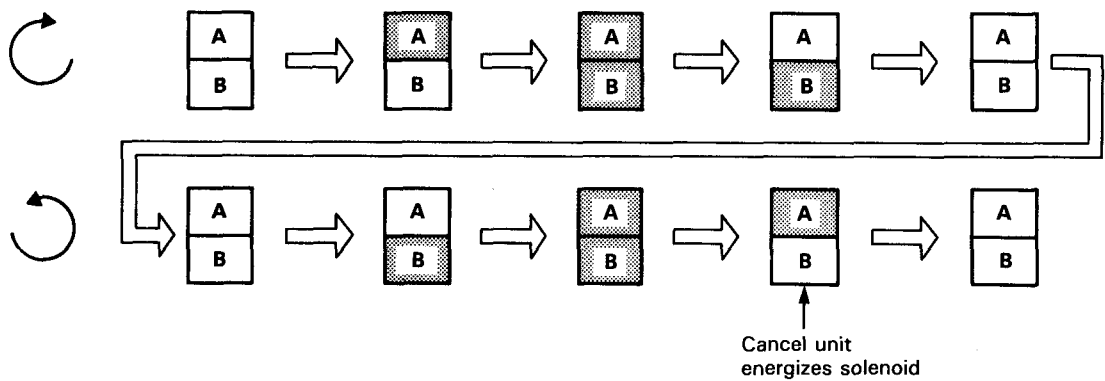


- ① A cam plate is installed around the steering shaft. A pair of switches (A and B) are installed beside it.
- ② When the steering is turned in direction of the arrow, switch A turns on first.
- ③ Then switch B turns on.



The cancel unit monitors the on-off sequence of both switches. Once it receives a full set of signals for a right or left turn, it energizes the solenoid which then moves the turn signal lever back to neutral.

#### RIGHT TURN SIGNAL



#### LEFT TURN SIGNAL

