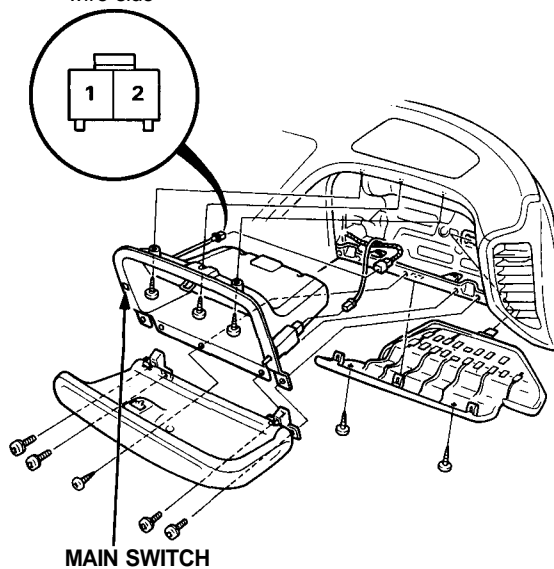




Main Switch Test

1. Remove the glove box, and disconnect the 2-P connector from the switch.
2. Check for continuity between the terminals.
 - There should be continuity between the No. 1 terminal and No. 2 terminal with the main switch ON.
 - There should be no continuity with the main switch OFF.

View from
wire side



3. If necessary, replace the switch.

