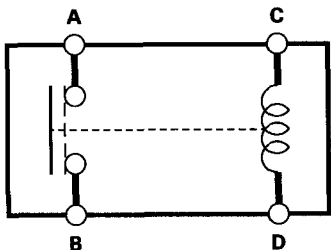
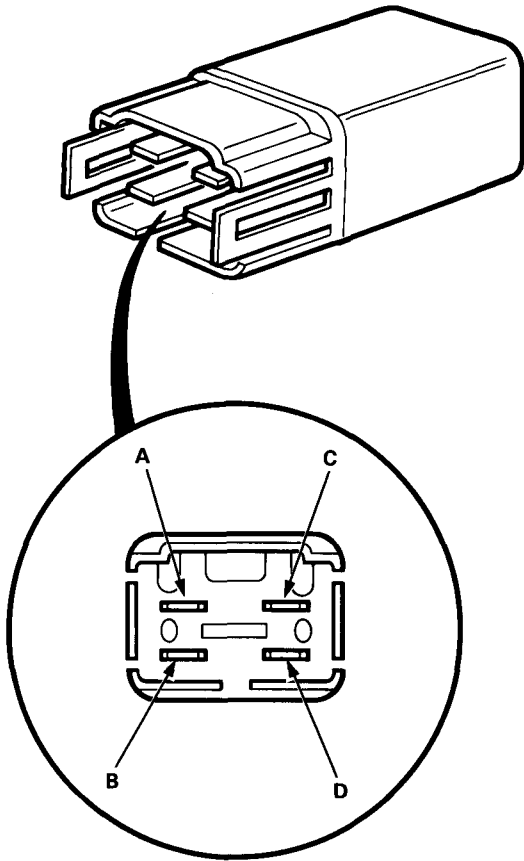


# Wipers/Washers

## High Relay/Washer Relay Test

1. Remove the wiper high relay or the washer relay from under-hood relay box B.
2. Check continuity at the relay terminals.
  - There should be continuity between the C and D terminals.
  - There should be continuity between the A and B terminals when power and ground are connected to the C and D terminals.
  - There should be no continuity between the A and B terminals when power is disconnected.



## Low Relay Test

1. Remove the wiper low relay from under-hood relay box B.
2. Check continuity at the relay terminals.
  - There should be continuity between the C and D terminals.
  - There should be no continuity between the A and B terminals when power and ground are connected to the C and D terminals.
  - There should be continuity between the A and B terminals when the power is disconnected.

