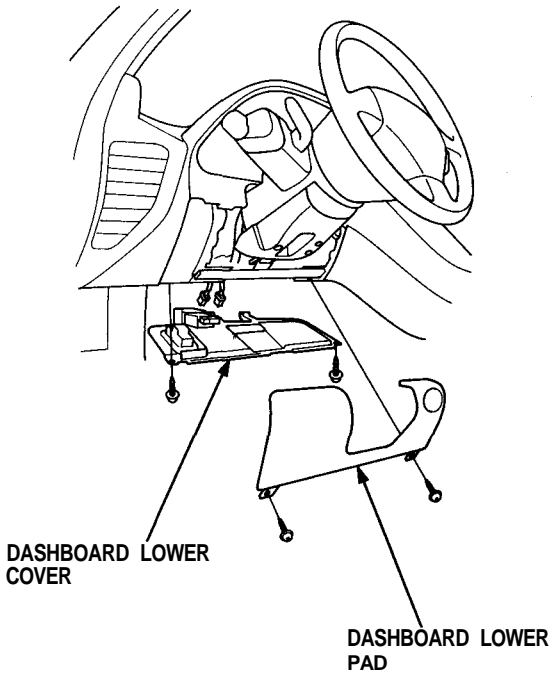


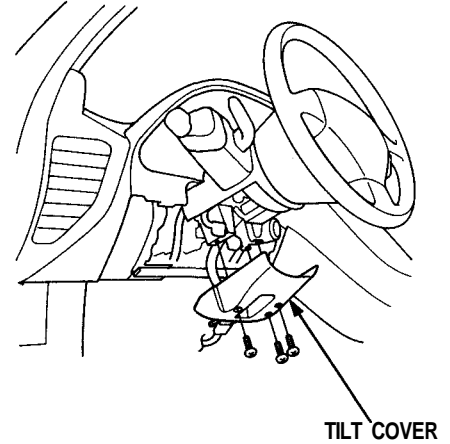
## Main Switch Replacement

SRS components are located in this area. Review the SRS component locations, precautions, and procedures in the SRS [section 24](#) before performing repairs or service.

1. Remove the dashboard lower cover, and disconnect the connectors.
2. Remove the dashboard lower pad.

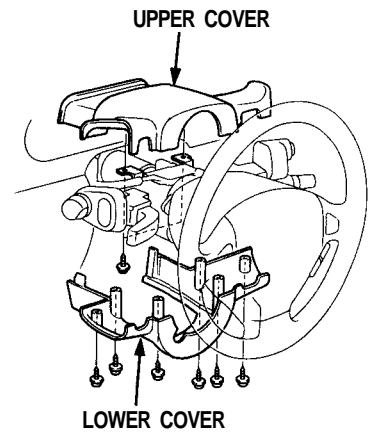


3. Remove the tilt cover.



4. Remove the steering column covers.

NOTE: Be careful not to damage the steering column covers.



(cont'd)

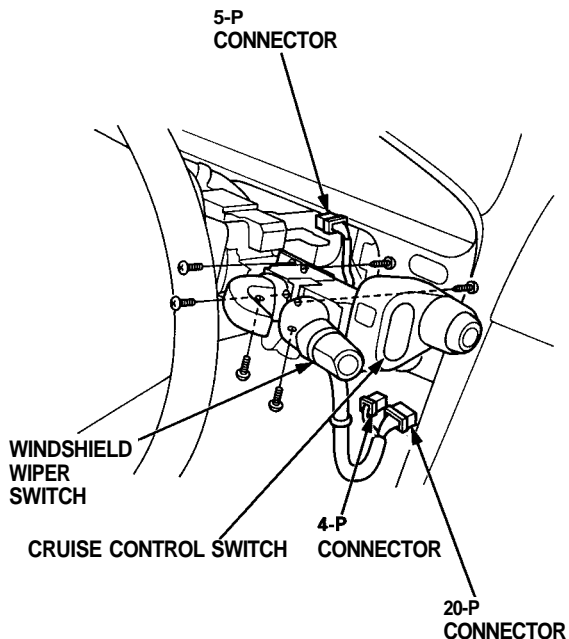
# CruiseControl

## Main Switch Replacement (cont'd)

5. Disconnect the 20-P, 4-P and 5-P connectors from the floor wire harness.

**CAUTION:** Be careful not to damage the SRS wire harness.

6. Remove the six screws, then remove the windshield wiper-cruise control switch assembly.



7. If necessary, replace the cruise control switch bulbs.

