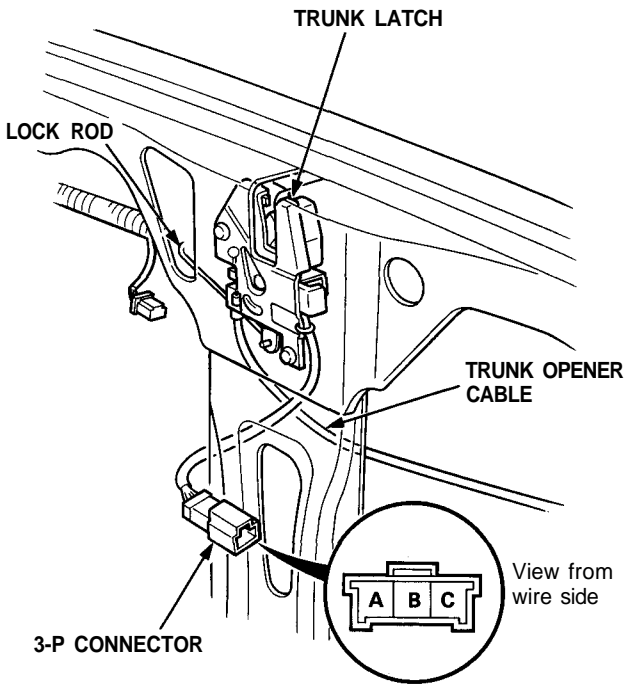


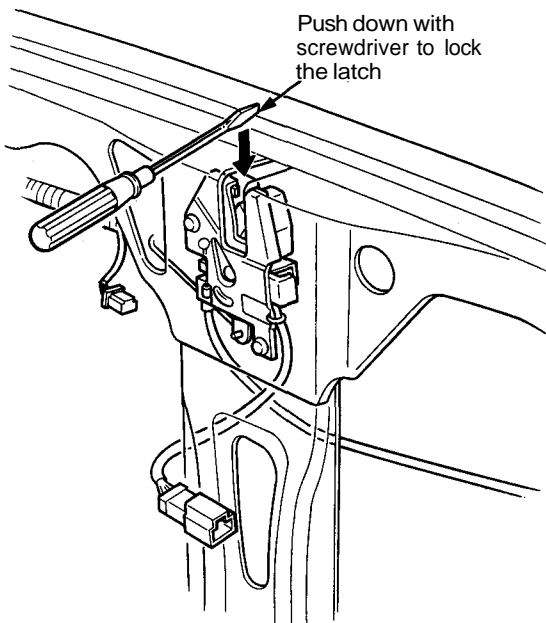


Trunk Latch Switch Test

1. Open the trunk lid and remove the trunk rear trim panel.
2. Disconnect the 3-P connector from the trunk latch.

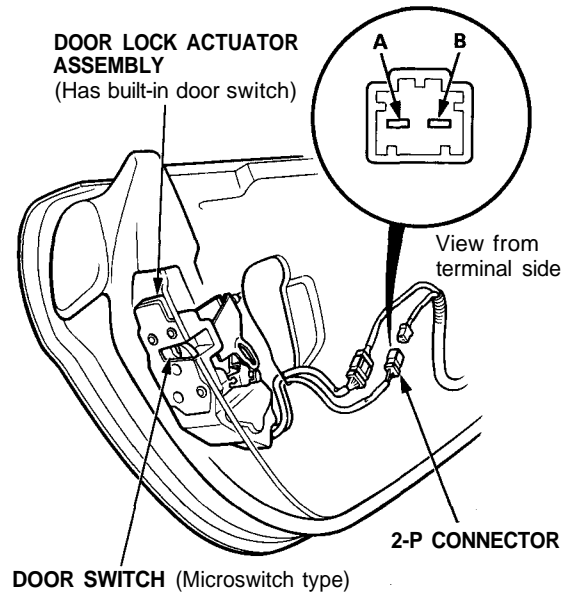


3. Check continuity at the trunk latch connector terminals.
 - There should be continuity between the B and C terminals with the trunk lid open.
 - There should be no continuity between the B and C terminals with the trunk latch in LOCK (trunk lid closed) position.



Door Switch Test

1. Remove the door panel (see [section 20](#)).
2. Disconnect the 2-P connector from the door lock actuator assembly.



3. Check continuity at the door switch connector terminals.
 - There should be continuity between the A terminal and B terminal with the door open.
 - There should be no continuity between the A and B terminals with the switch pushed (door closed).

